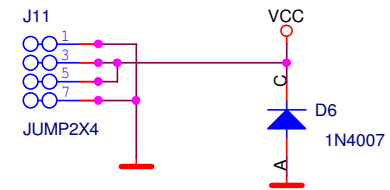
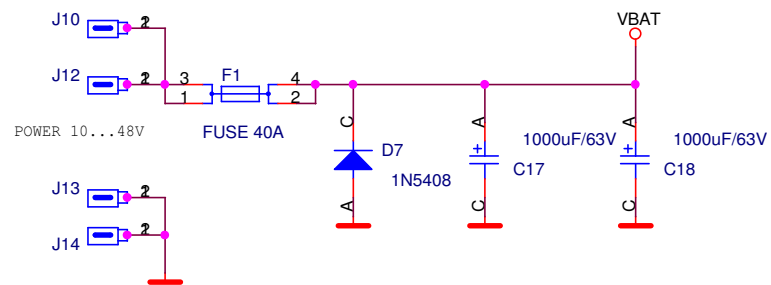
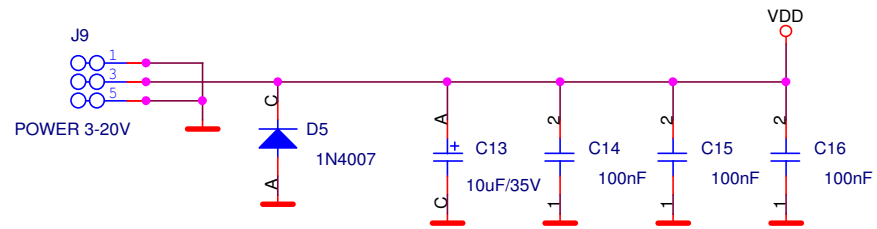
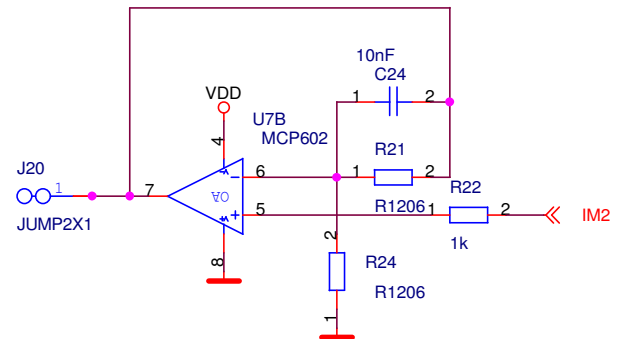
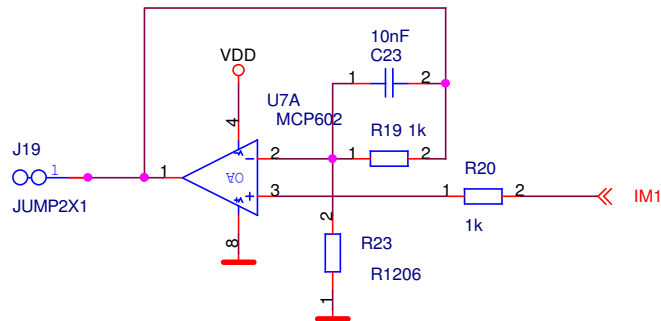
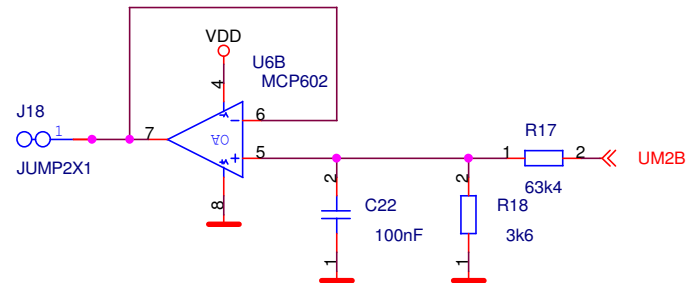
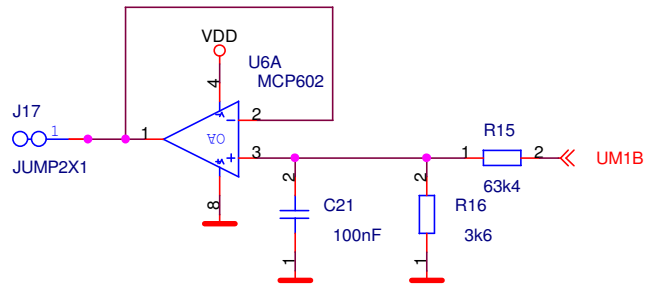
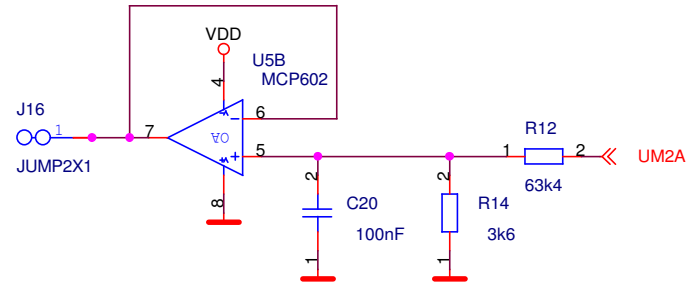
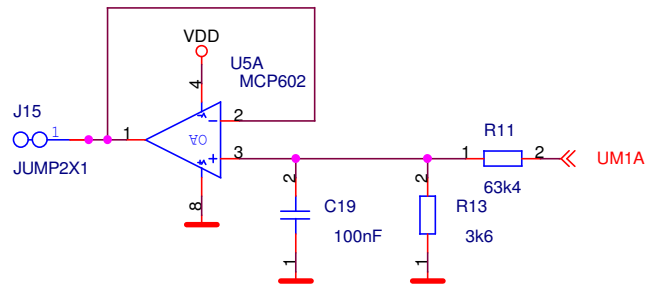


Firma		Author	
<b>MLAB</b>		Kaklik	
Size	Project Name	Schematic Name	Rev
A4	HB2FET02A	HBRIDGE	A
Date:	Saturday, September 01, 2007	Sheet	1 of 3



Firma		MLAB		Author		KAKLIK	
Size	Project Name	Schematic Name		Rev			
A4	HB2FET02A	POWER		A			
Date:	Saturday, September 01, 2007	Sheet	2	of	3		



Firma		Author	
<b>MLAB</b>		KAKLIK	
Size A4	Project Name <b>HB2FET02A</b>	Schematic Name SENSORS	Rev A
Date:	Saturday, September 01, 2007	Sheet	3 of 3