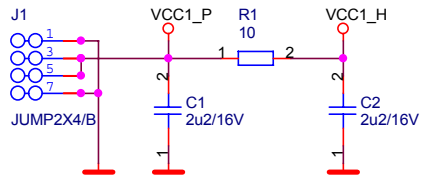


HB2FET01A Dual Full H-Bridge with FET

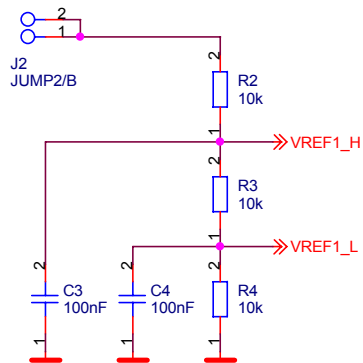
HISTORY

1.00 First version

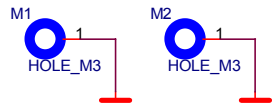
Firma		MLAB		Author	
				MIHO	
Size	Project Name	Schematic Name	Rev		
A4	MLAB	HB2FET01A	1.00		
Date:	Sunday, April 02, 2006	Sheet	1	of	3



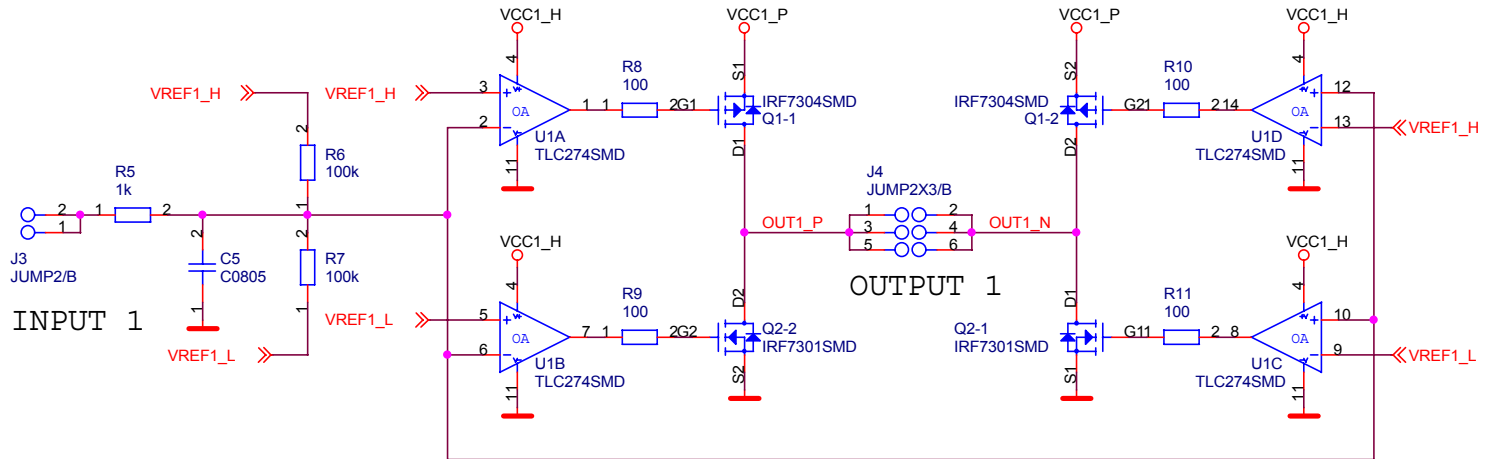
POWER VOLTAGE



LOGIC REFERENCE VOLTAGE

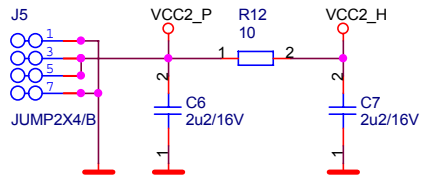


MECHANICAL

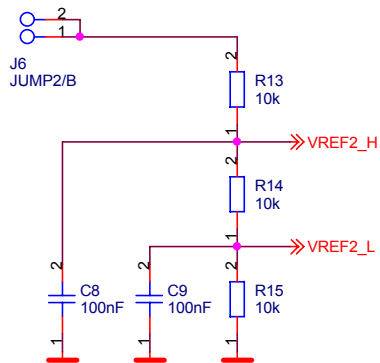


H-Bridge

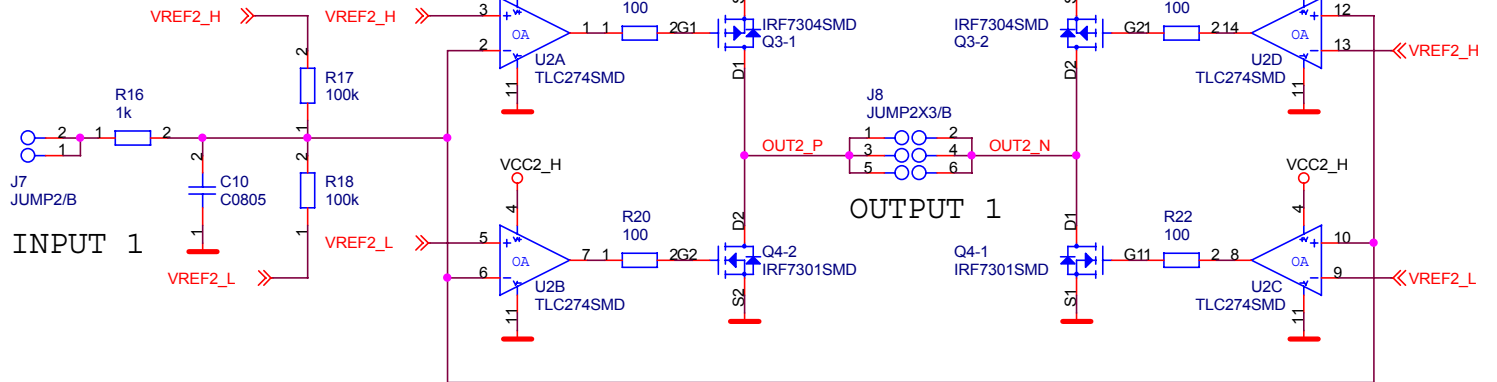
Firma MLAB		Author MIHO	
Size A4	Project Name MLAB	Schematic Name HB2FET01A	Rev 1.00
Date: Sunday, April 02, 2006	Sheet 2		of 3



POWER VOLTAGE



LOGIC REFERENCE VOLTAGE



H-Bridge

Firma		MLAB		Author	MIHO
Size	Project Name	Schematic Name	Rev		
A4	MLAB	HB2FET01A	1.00		
Date:	Sunday, April 02, 2006	Sheet	3	of	3