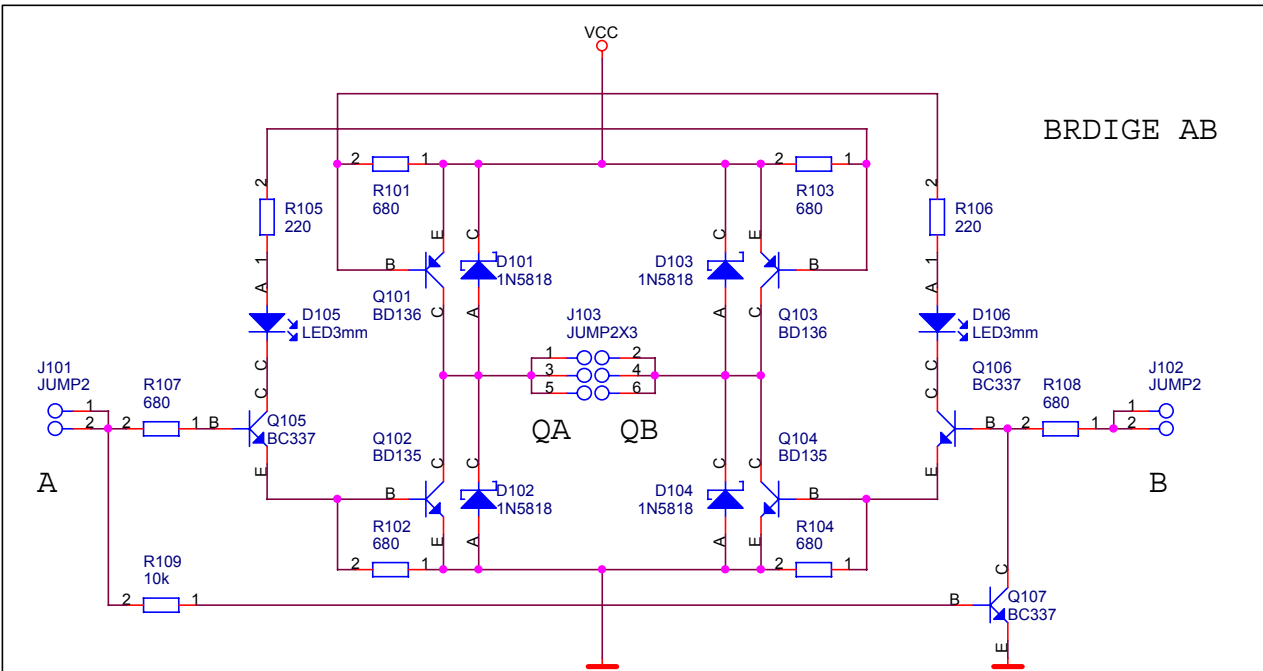


HBRIDGE01B

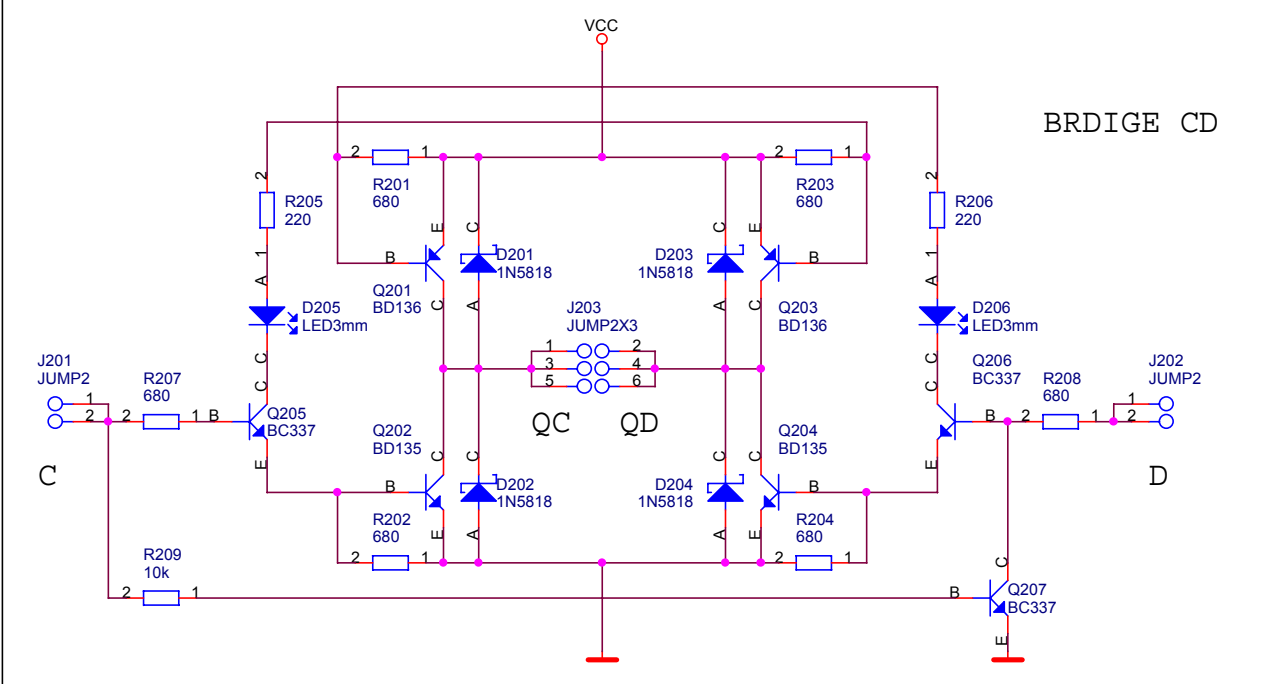
HISTORY

1.00 FIRST VERSION BY KAKLIK, MINOR CORRECTIONS BY MIHO

Firma		Author	
MLAB		KAKLIK,MIHO	
Size	Project Name	Schematic Name	Rev
A4	MLAB	HBRIDGE01B	1.00
Date:	Sundav, October 09, 2005	Sheet	1 of 2
	2		1



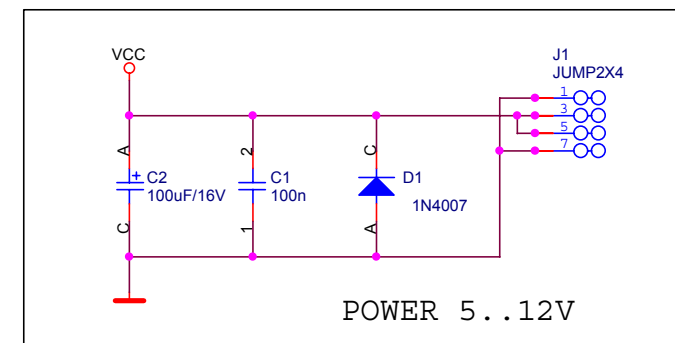
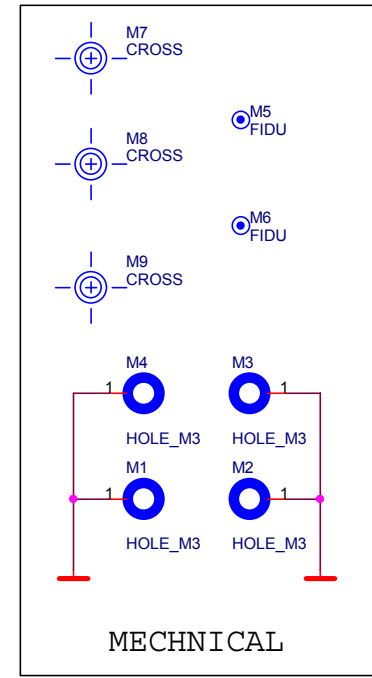
BRDIGE AB



BRDIGE CD

IN		OUT	
B	A	QB	QA
0	0	Z	Z
0	1	H	L
1	0	L	H
1	1	H	L

IN		OUT	
D	C	QD	QC
0	0	Z	Z
0	1	H	L
1	0	L	H
1	1	H	L



POWER 5..12V

Firma		Author	
MLAB		KAKLIK,MIHO	
Size	Project Name	Schematic Name	Rev
A4	MLAB	HBRIDGE01B	1.00
Date:	Sunday, October 09, 2005	Sheet	2 of 2