

# HT675101A

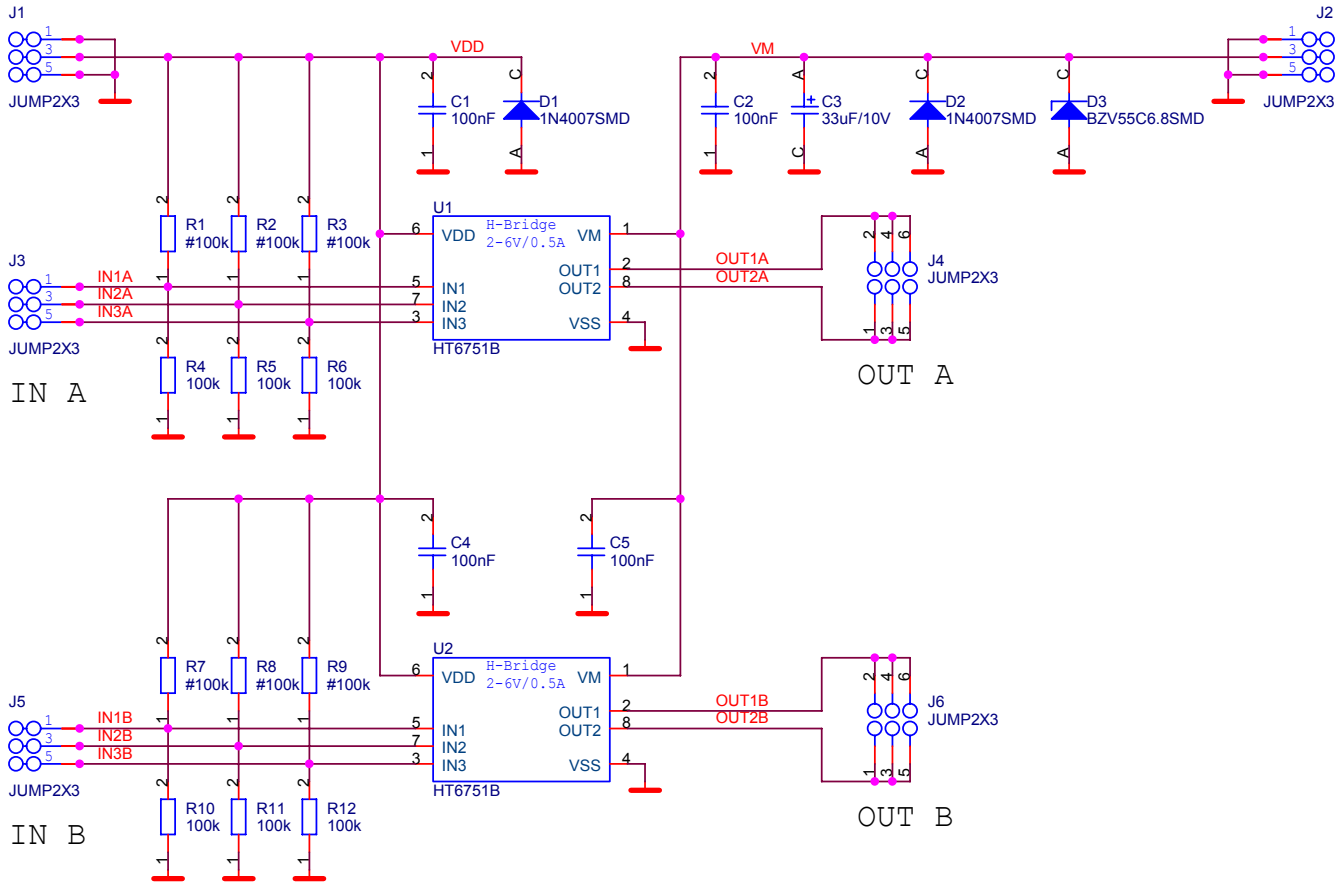
H-Bridge with HOLTEK HT6751A/B Chip  
2-6V, max 0.5A

1.00 First Version

Firma		<b>MLAB</b>		Author	MIHO
Size	Project Name	Schematic Name	Rev		
A4	MLAB	HT675101A	0.00		
Date:	Sunday, September 16, 2007	Sheet	1	of	2

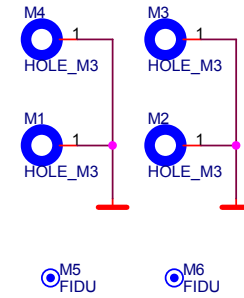
Interface Power  
2..6V

Motor Power  
1.8 .. 6V



For HT6751A use Pull Up  
For HT6751B use Pull Down

MECHANICAL



IN3	IN2	IN1	FUNCTION
0	0	0	OFF
0	0	1	FORWARD
0	1	0	REVERSE
0	1	1	BRAKE
1	0	0	
1	0	1	OUT2 UP
1	1	0	OUT2 DOWN
1	1	1	OUT2 DOWN

The table is valid  
for HT6751B

HT6751A has  
negative inputs

Firma		Author	
<b>MLAB</b>		MIHO	
Size A4	Project Name MLAB	Schematic Name HT675101A	Rev 0.00
Date:	Sunday, September 16, 2007	Sheet	2 of 2