

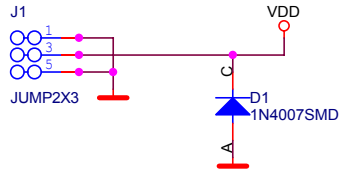
MPC17529HB01A

Dual H-Bridge with Freescale MPC17529 Chip
2-6.8V, 2x0.7A (max 2x1.4A peek)

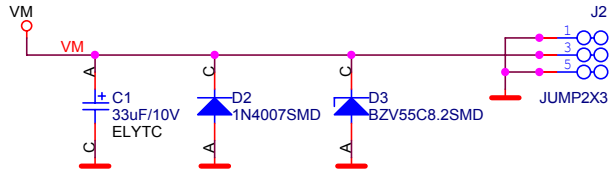
1.00 First Version

Firma		Author	
MLAB		MIHO	
Size	Project Name	Schematic Name	Rev
A4	MLAB	MPC17529HB01A	1.00
Date:	Sheet		
Sunday, January 18, 2009	1 of 2		

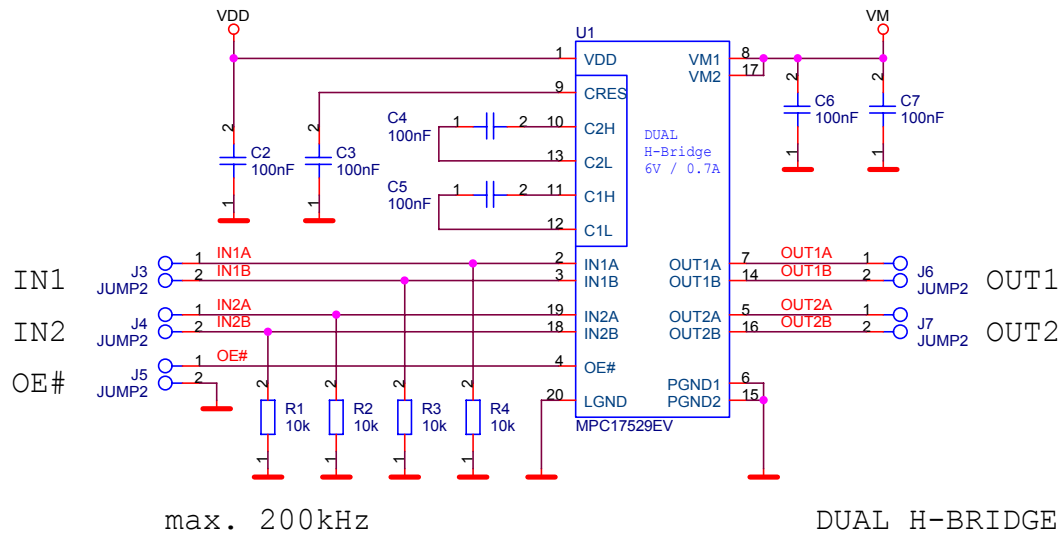
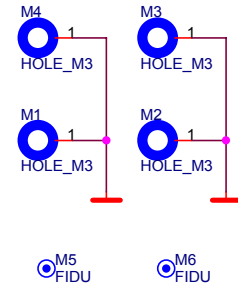
Interface Power
2.7 .. 5.6V



Motor Power
2.0 .. 6.8V



MECHANICAL



OE#	INxA	INxB	OUTxA	OUTxB	FUNCTION
H	X	X	Z	Z	OFF
L	L	L	L	L	BRAKE
L	L	H	L	H	FORWARD
L	H	L	H	L	REVERSE
L	H	H	Z	Z	OFF

Firma MLAB		Author MIHO	
Size A4	Project Name MLAB	Schematic Name MPC17529HB01A	Rev 1.00
Date: Sunday, January 18, 2009	Sheet 2 of 2		