

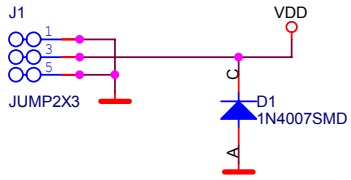
MPC17529HB01A

Dual H-Bridge with Freescale MPC17529 Chip
2-6.8V, 2x0.7A (max 2x1.4A peek)

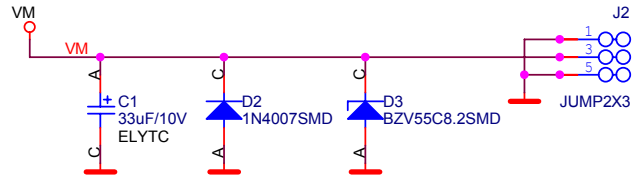
1.00 First Version

Firma		MLAB		Author		MIHO		
Size	Project Name	Schematic Name		Rev				
A4	MLAB	MPC17529HB01A		1.00				
Date:	Tuesday, January 27, 2009		Sheet		1 of 2			

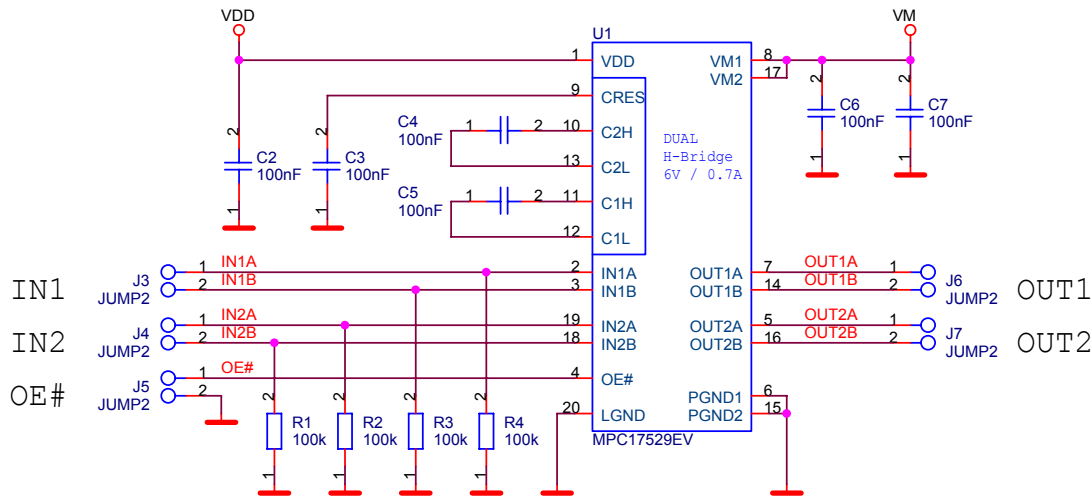
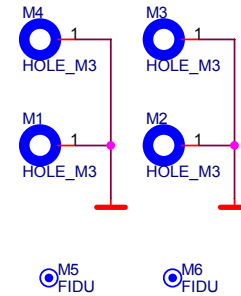
Interface Power
2.7 .. 5.6V



Motor Power
2.0 .. 6.8V



MECHANICAL



max. 200kHz

DUAL H-BRIDGE

OE#	INxA	INxB	OUTxA	OUTxB	FUNCTION
H	X	X	Z	Z	OFF
L	L	L	L	L	BRAKE
L	L	H	L	H	FORWARD
L	H	L	H	L	REVERSE
L	H	H	Z	Z	OFF

Firma		Author	
MLAB		MIHO	
Size A4	Project Name MLAB	Schematic Name MPC17529HB01A	Rev 1.00
Date:	Tuesday, January 27, 2009	Sheet	2 of 2