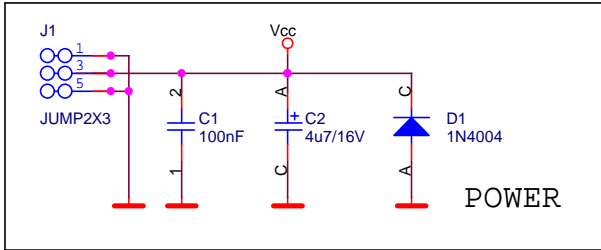
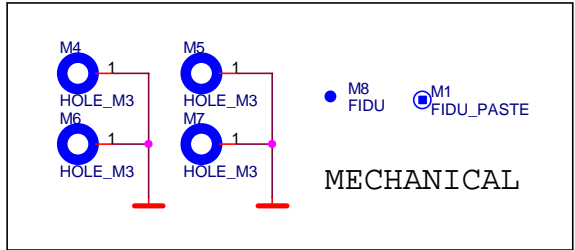
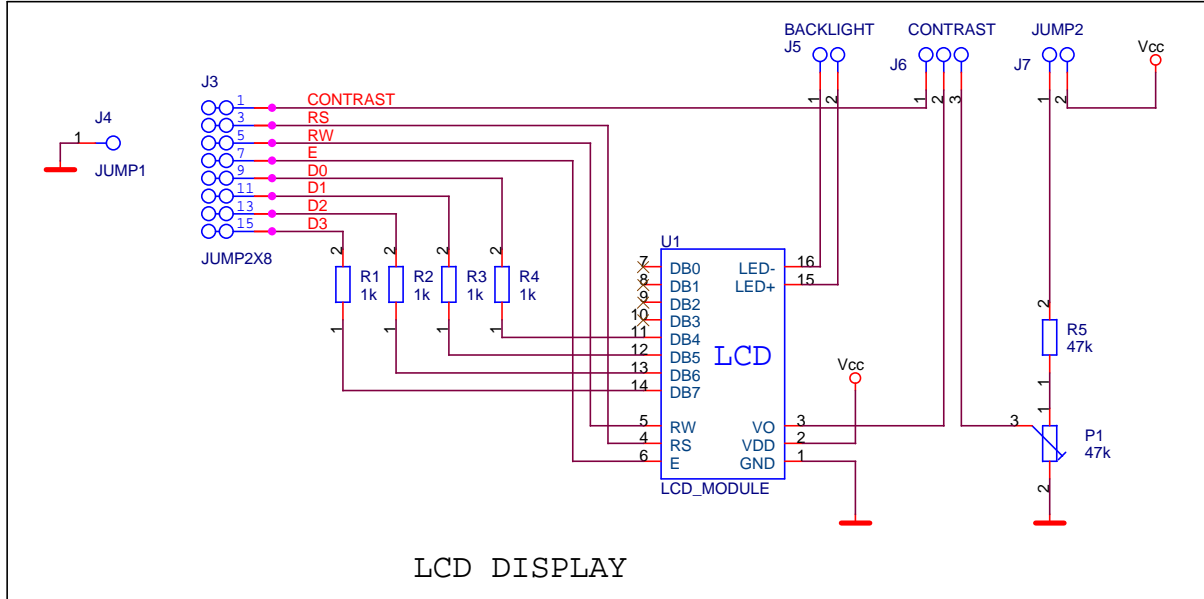
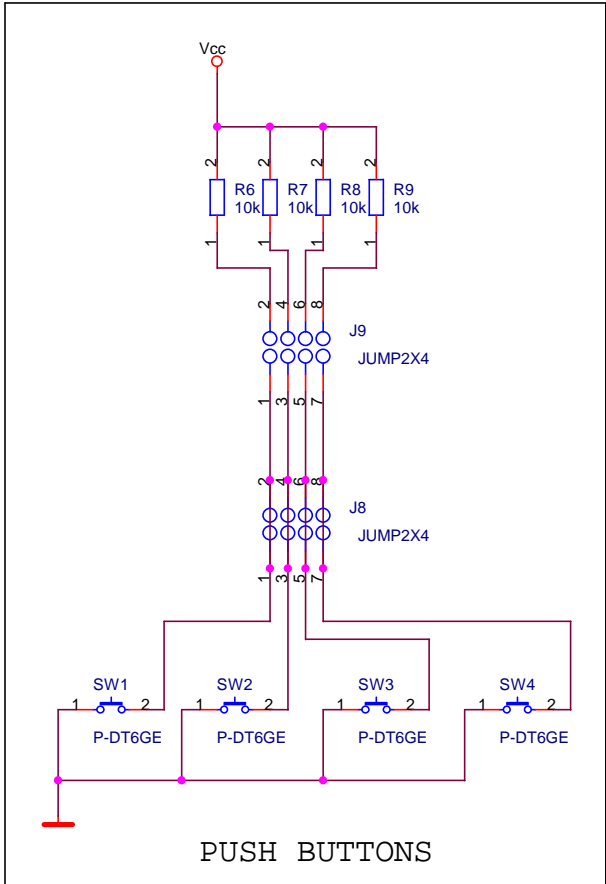
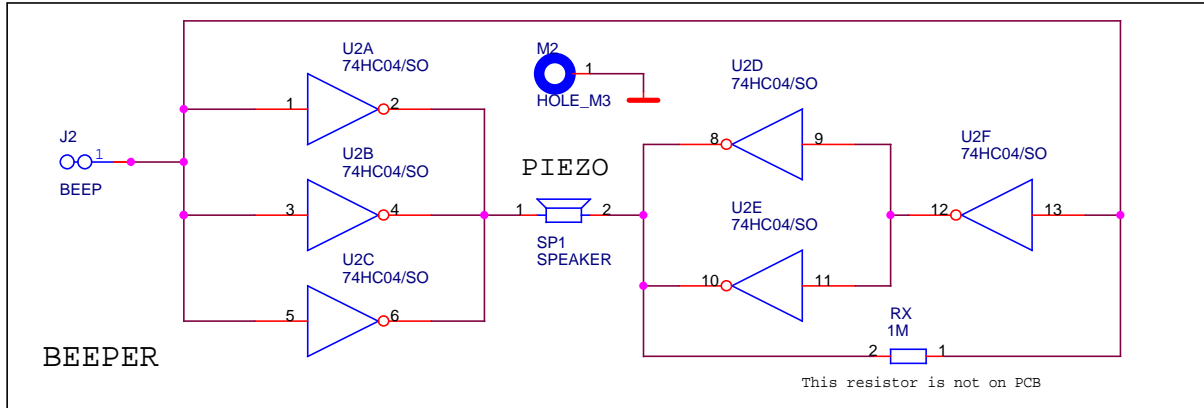


# LCD2L4P02A

## History

- 1.00 First Version - derived from LCD2L4P01A (added piezoelement)
- 1.00A Minor corrections (added resistor RX)

Firma		<b>MLAB</b>		Author	
				MIHO, KAKLIK	
Size	Project Name	Schematic Name	Rev		
A4	MLAB	LCD2L4P02A	1.00A		
Date: Thursday, May 01, 2008		Sheet	1	of	2



Firma		Author	
<b>MLAB</b>		MIHO, KAKLIK	
Size	Project Name	Schematic Name	Rev
A4	MLAB	LCD2L4P02A	1.00A
Date:	Thursday, May 01, 2008	Sheet	2 of 2