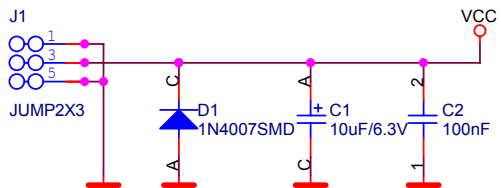
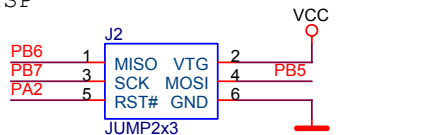


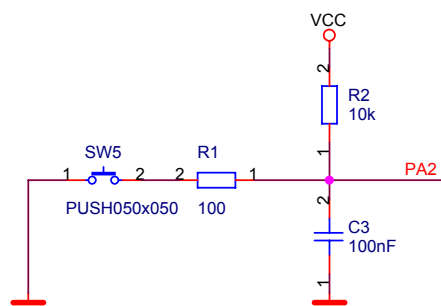
POWER



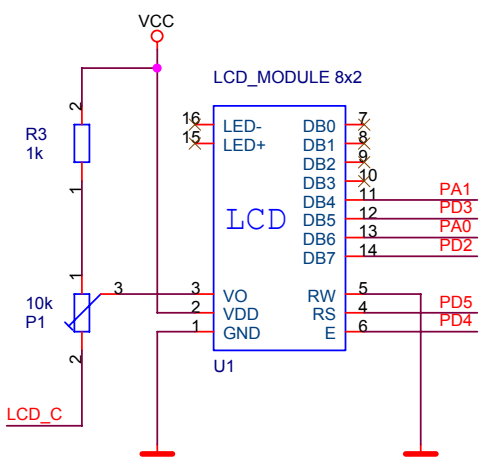
ATMEL ISP



RESET

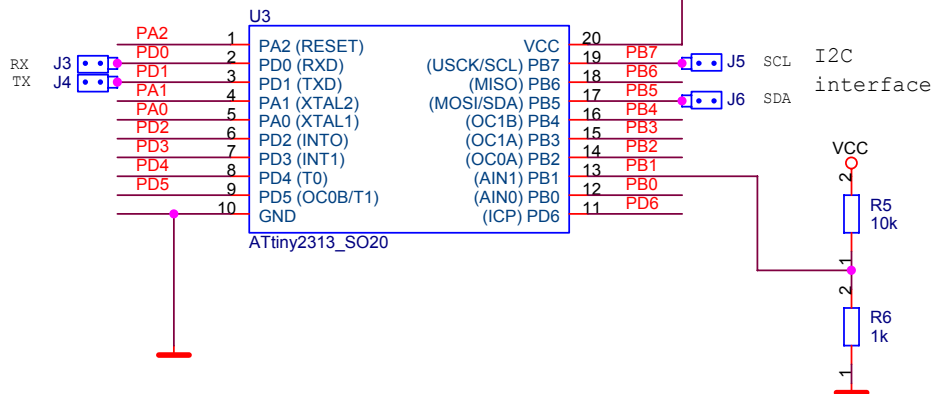
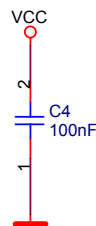


LCD

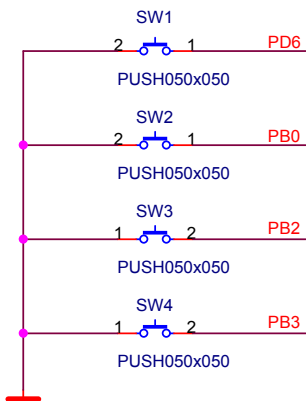


ATMEL CPU

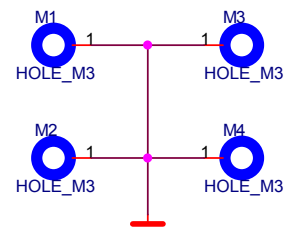
USART interface



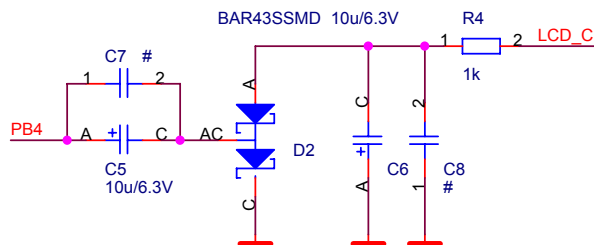
BUTTONS



HOLES



PWM CONTRAST LCD



Firma		Author	
MLAB		MIJA	
Size	Project Name	Schematic Name	Rev
A4	MLAB	nanoterm01A	1.00
Date:	Wednesday, February 13, 2008	Sheet	1 of 1