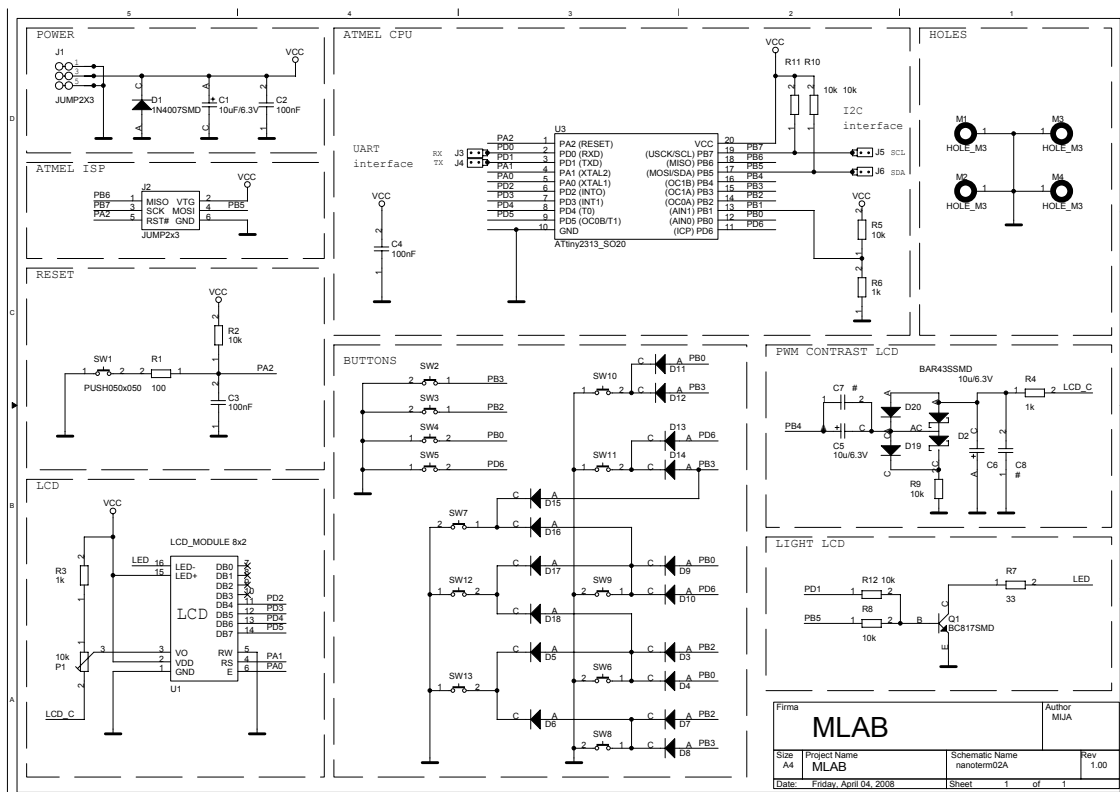


1	C1	10uF/6.3V	ELYTB
3	C2,C3,C4	100nF	C0805
2	C5,C6	10u/6.3V	ELYTB
2	C7,C8	#	C0805
1	D1	1N4007SMD	MELF
1	D2	BAR43SSMD	SOT23
18	D3,D4,D5,D6,D7,D8,D9,D10, D11,D12,D13,D14,D15,D16, D17,D18,D19,D20	BAT48SMD	SOD87
2	J1,J2	JUMP2x3	JUMP2x3/B
4	J3,J4,J5,J6	UNIPAD2	UNIPAD2
4	M1,M2,M3,M4	HOLE_M3	HOLE_M3
1	P1	10k	PT6V
1	Q1	BC817SMD	SOT23
1	R1	100	R0805
7	R2,R5,R8,R9,R10,R11,R12	10k	R0805
3	R3,R4,R6	1k	R0805
1	R7	33	R0805
13	SW1,SW2,SW3,SW4,SW5,SW6, SW7,SW8,SW9,SW10,SW11, SW12,SW13	PUSH050x050	PUSH050x050
1	U1	LCD_MODULE 8x2	LCD_MC1602A
1	U3	ATtiny2313_S020	S020_300



Firma		Author	
<b>MLAB</b>		MLIA	
Size	Project Name	Schematic Name	Rev
A4	MLAB	nanoterm02A	1.00
Date	Friday, April 04, 2008	Sheet	1 of 1