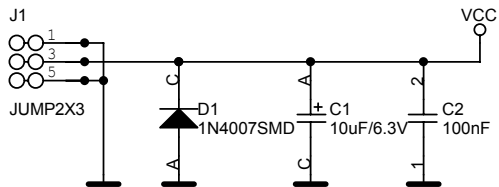
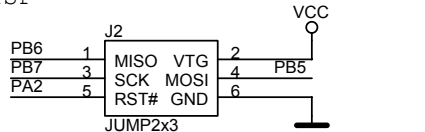


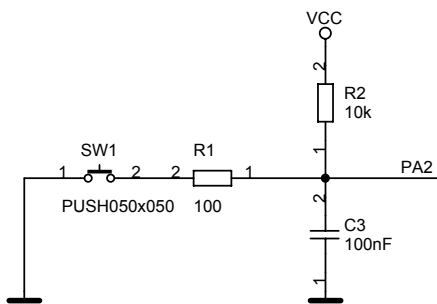
POWER



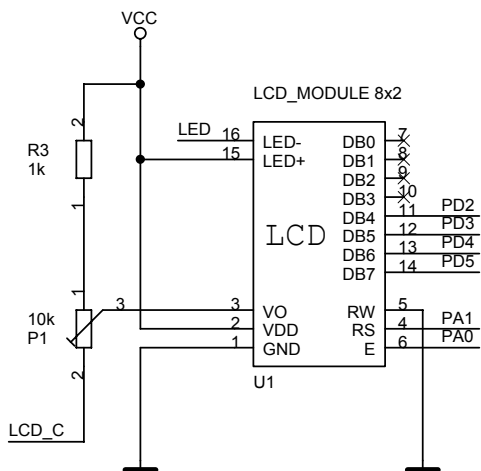
ATMEL ISP



RESET

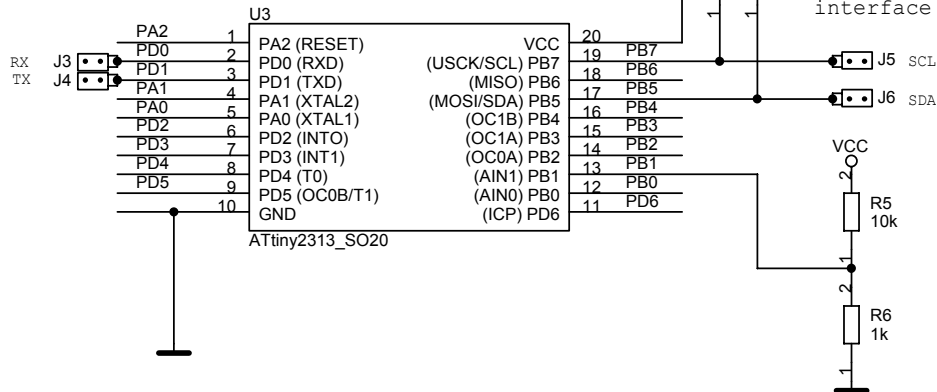
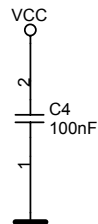


LCD

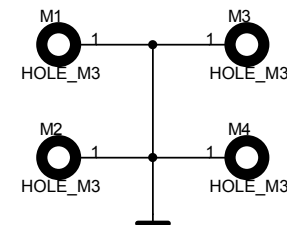


ATMEL CPU

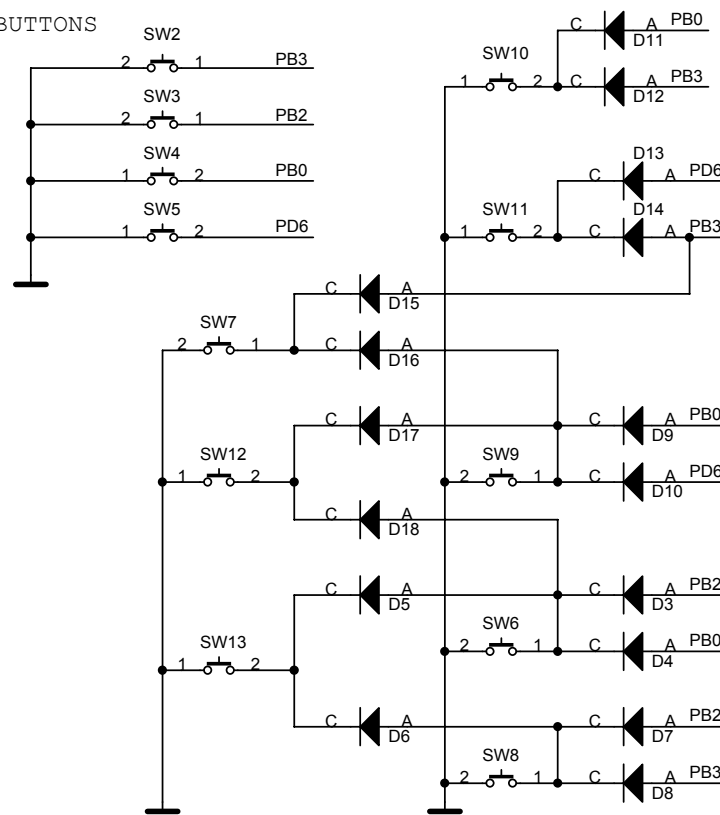
UART interface



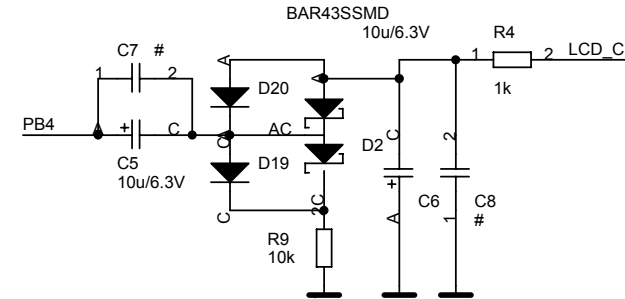
HOLES



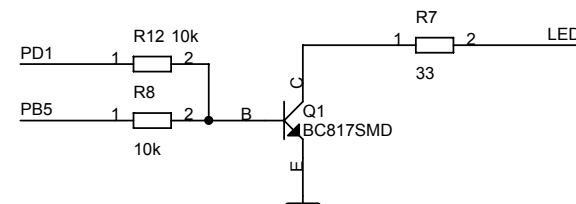
BUTTONS



PWM CONTRAST LCD



LIGHT LCD



Firma		Author MIJA	
MLAB			
Size A4	Project Name MLAB	Schematic Name nanoterm02A	Rev 1.00
Date:	Friday, April 04, 2008	Sheet	1 of 1