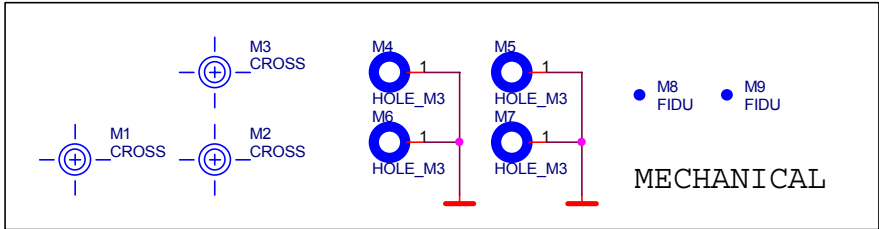
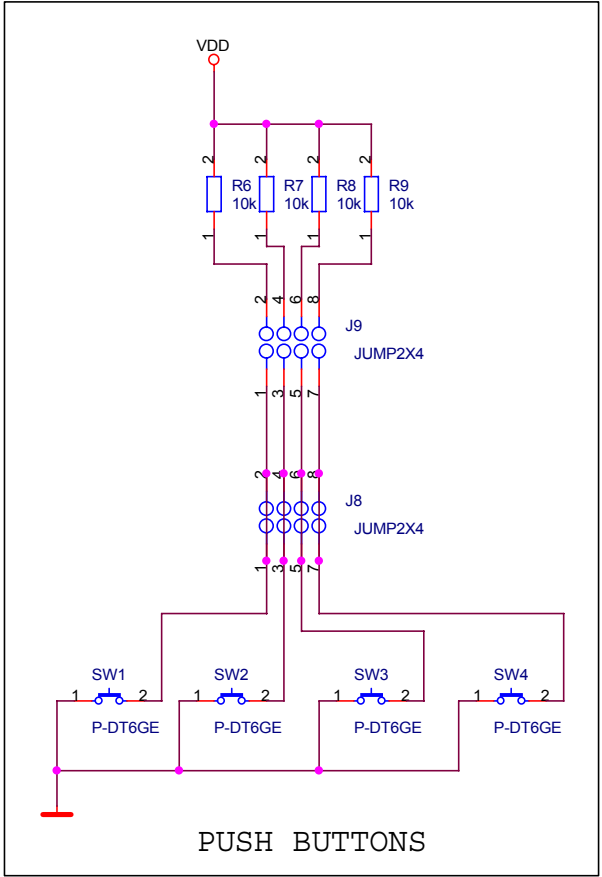
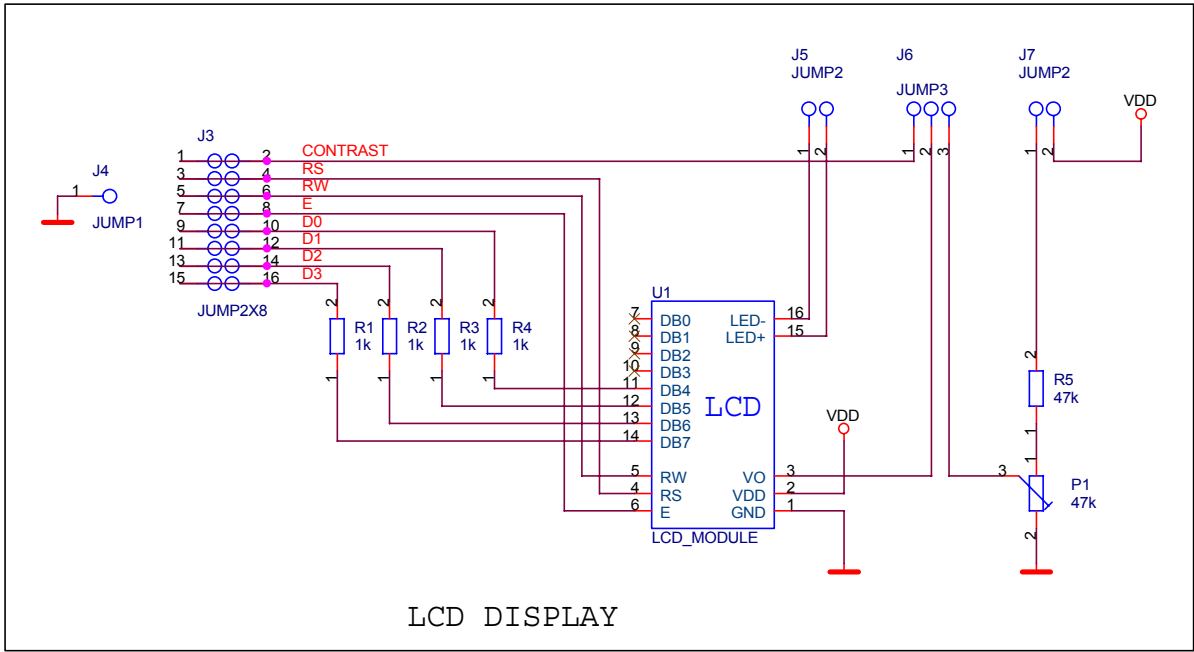
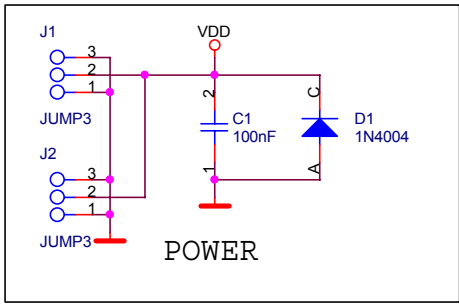


LCD2L4P01A

History

1.0 First Version

Firma		MLAB		Author	
				MIHO	
Size	Project Name	Schematic Name	Rev		
A4	MLAB	LCD2L4P01A	1.0		
Date:	Sunday, April 04, 2004	Sheet	1	of	2



Firma		Author MIHO	
MLAB			
Size A4	Project Name MLAB	Schematic Name LCD2L4P01A	Rev 1.0
Date: Sunday, April 04, 2004	Sheet 2 of 2		