



# GPS click™

## 1. Introduction



GPS Click is an accessory board in **mikroBus™** form factor. It's a compact solution for adding GPS functionality to your device. It features **LEA-6S**, high performance u-blox 6 positioning engine. Board can be interfaced with a microcontroller through UART or I<sup>2</sup>C connection, or data can be acquired using PC application through USB connection. Board features connector compatible with active and passive antennas. It can operate on 3.3V power supply only.

## 2. Soldering the headers

Before using your click board, make sure to solder the provided 1x8 male headers to both sides of the board. Two 1x8 male headers are included with the board in the package.



1

2



Turn the board upside down, so that bottom side is facing you upwards. Place shorter parts of the header pins in the both soldering pad locations.

3



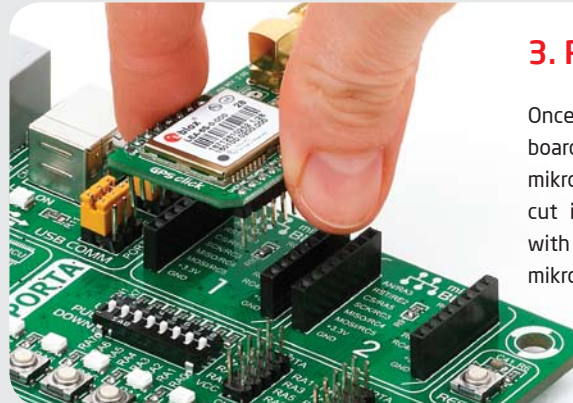
Turn the board upward again. Make sure to align the headers so that they are perpendicular to the board, then solder the pins carefully.



## 4. Features and applications

GPS Click board with its **LEA-6S** module features acquisition down to 1s, -147dBm coldstart sensitivity and 5Hz update rate. You can achieve low power consumption due to intelligent, user configurable power management. Mentioned features make this board ideal for asset tracking, road navigation devices, public transportation vehicle information systems and more.

## 3. Plugging the board in



Once you have soldered the headers your board is ready to be placed into desired mikroBUS™ socket. Make sure to align the cut in the lower-right part of the board with the markings on the silkscreen at the mikroBUS™ socket. If all the pins are aligned correctly, push the board all the way into the socket.

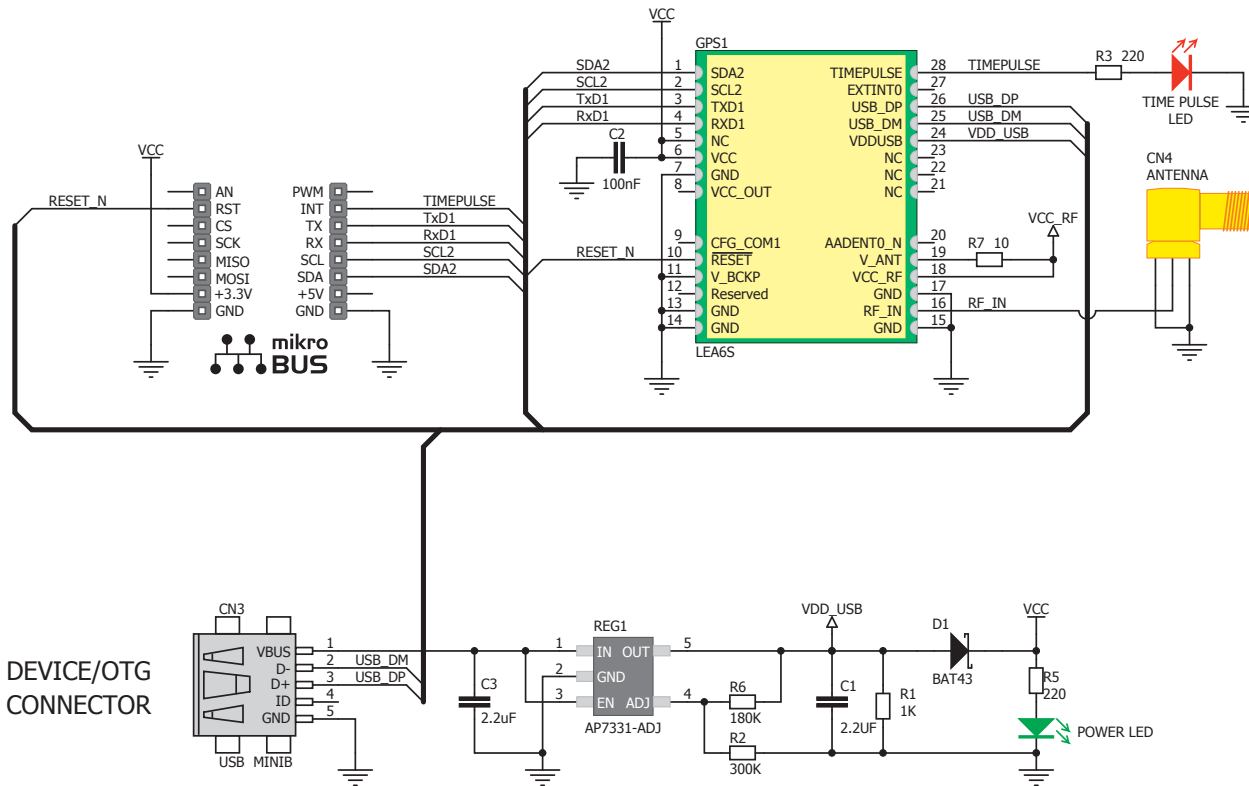
click™  
BOARD  
www.mikroe.com

GPS click Manual  
ver. 1.00



0 100000 018637

## 5. GPS click Board Schematics



## 6. Power supply - 3.3V only



Board is designed to use 3.3V power supply only. If you need to add GPS feature to your 5V prototype or development board, we recommend you to use other boards such as the SmartGPS Accessory Board:

<http://www.mikroe.com/eng/products/view/122/smartgps-board/>

## 7. Code Examples

Once you have done all the necessary preparations, it's time to get your click board up and running. We have provided the examples for mikroC, mikroBasic and mikroPascal compilers on our **Libstock** website. Just download them and you are ready to start.



## 8. Support

MikroElektronika offers **Free Tech Support** ([www.mikroe.com/esupport](http://www.mikroe.com/esupport)) until the end of product lifetime, so if something goes wrong, we are ready and willing to help!