

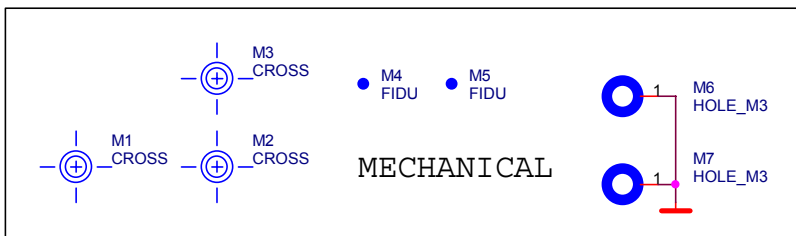
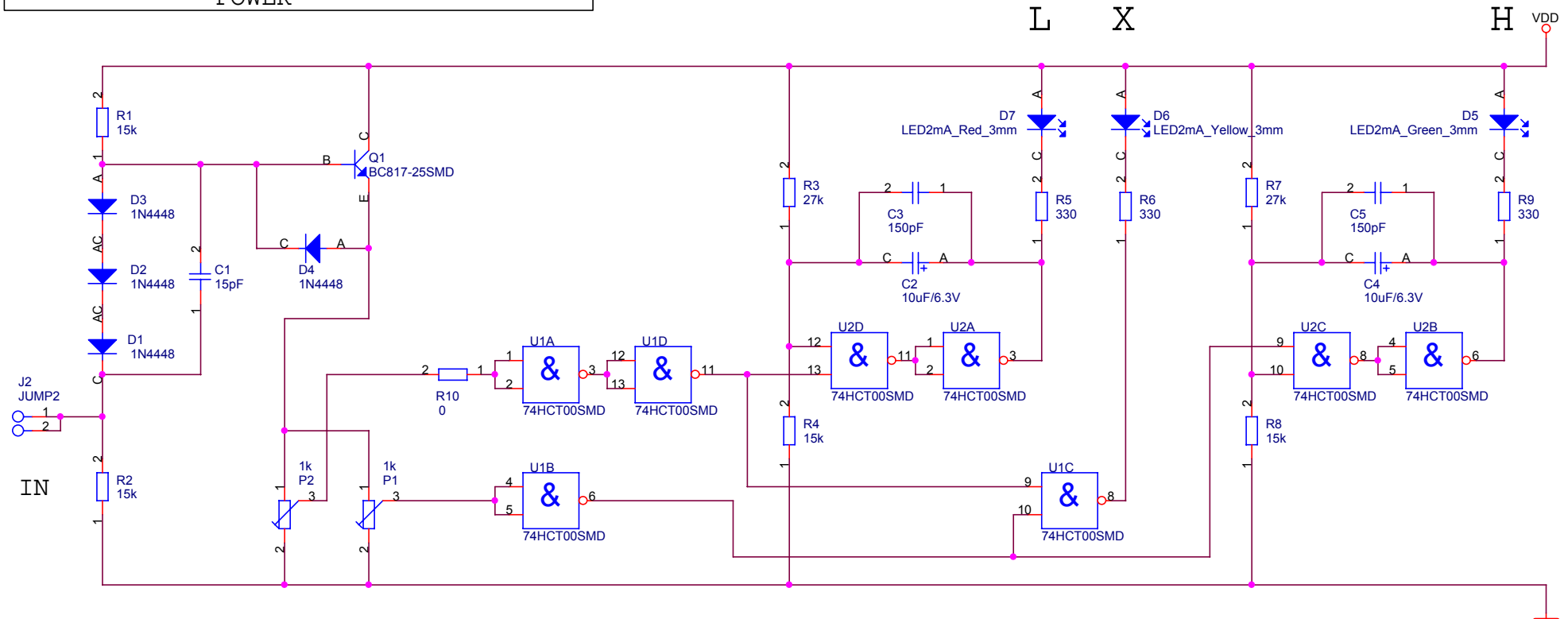
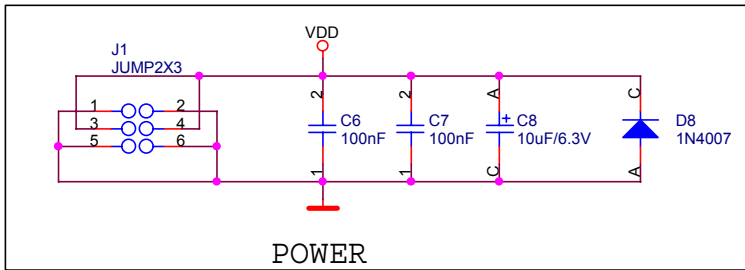
TTLPROBE02A

History

0.0 Constuction published in Amaterske Radio ARA8/80

1.0 First Version, derived from TTLPROBE01A

Firma		Author	
MLAB		MIHO	
Size	Project Name	Schematic Name	Rev
A4	MLAB	TTLPROBE02A	1.0
Date:	Sundav, August 01, 2004	Sheet	1 of 2
	2		1



Firma		Author	
MLAB		MIHO	
Size A4	Project Name MLAB	Schematic Name TTLPROBE02A	Rev 1.0
Date: Sundav, August 01, 2004	Sheet 2	of 2	