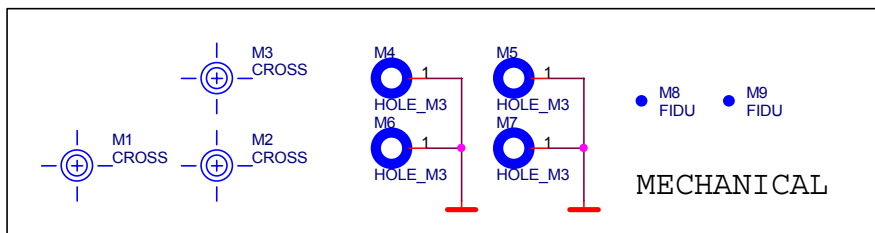
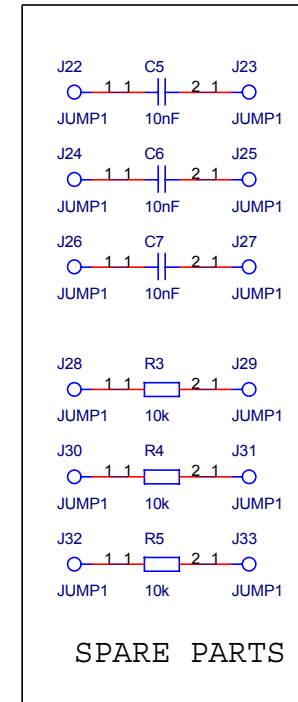
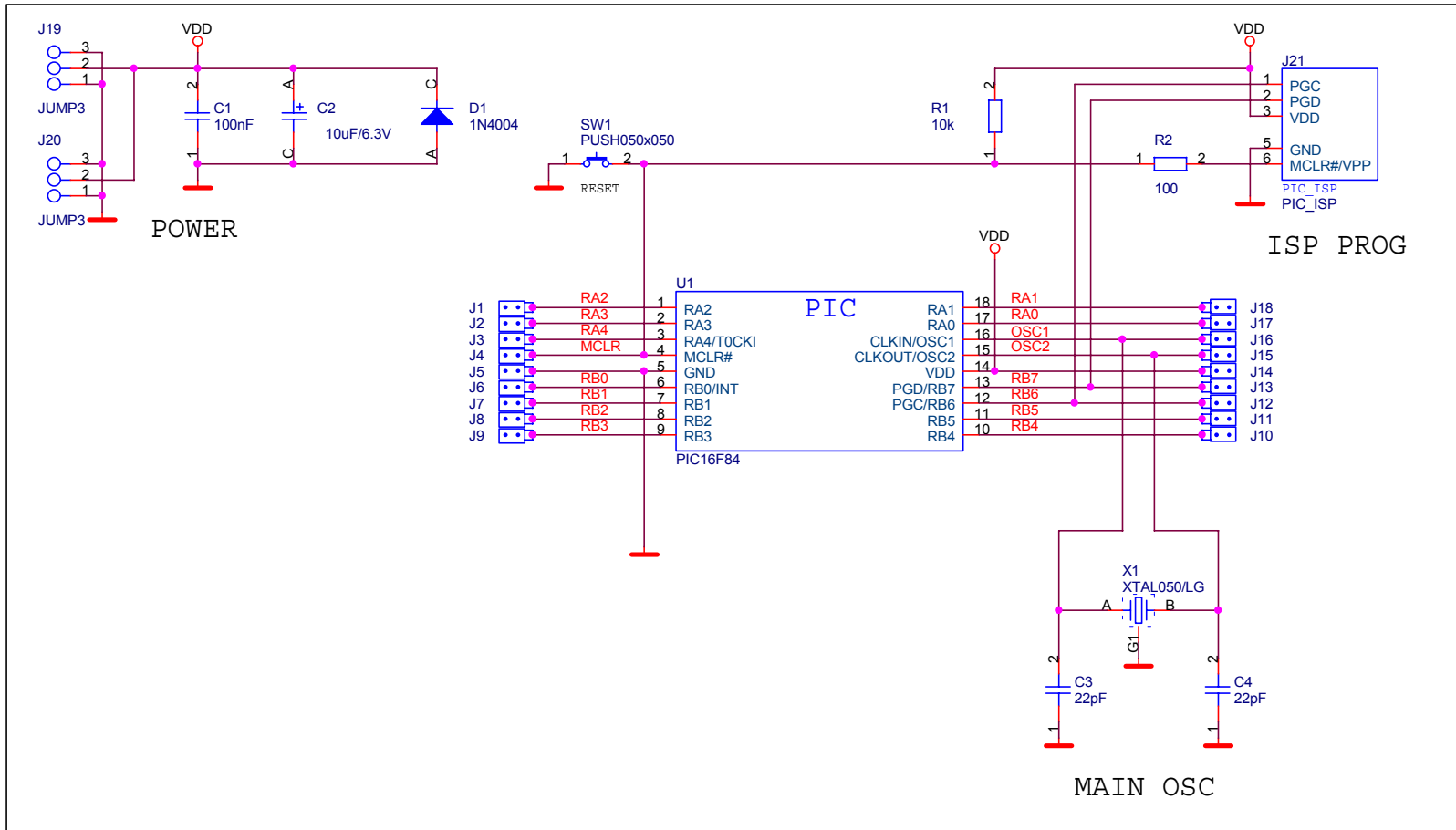


# PIC16F84DIL1801A

Hitory

1.0 First Version

Firma		<b>MLAB</b>		Author MIHO	
Size A4	Project Name MLAB	Schematic Name PIC16F84DIL1801A	Rev 1.0		
Date:	Saturday, July 24, 2004	Sheet	1	of	2



Firma		<b>MLAB</b>		Author	MIHO
Size	Project Name	Schematic Name	Rev		
A4	MLAB	PIC16F84DIL1801A	1.0		
Date:	Saturday, July 24, 2004	Sheet	2	of	2