

PIC16F87XDIL2801A

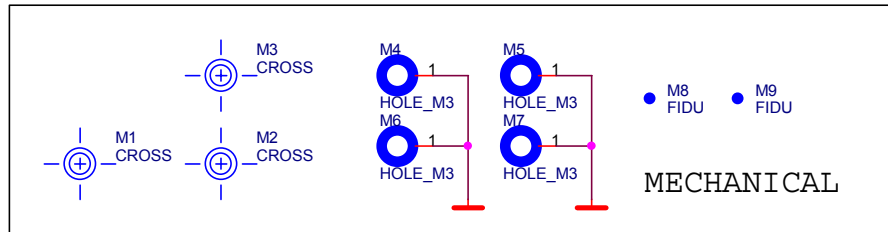
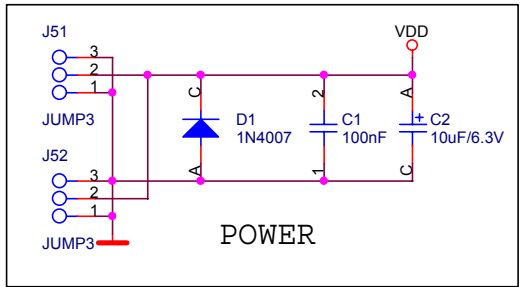
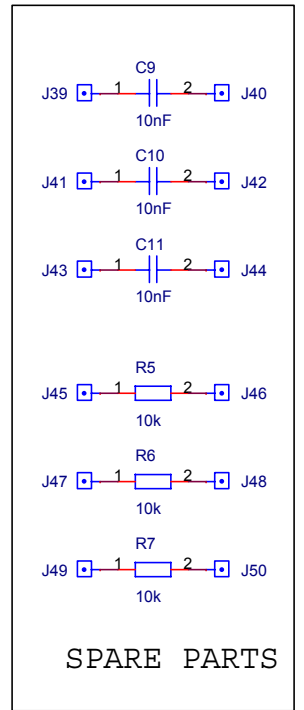
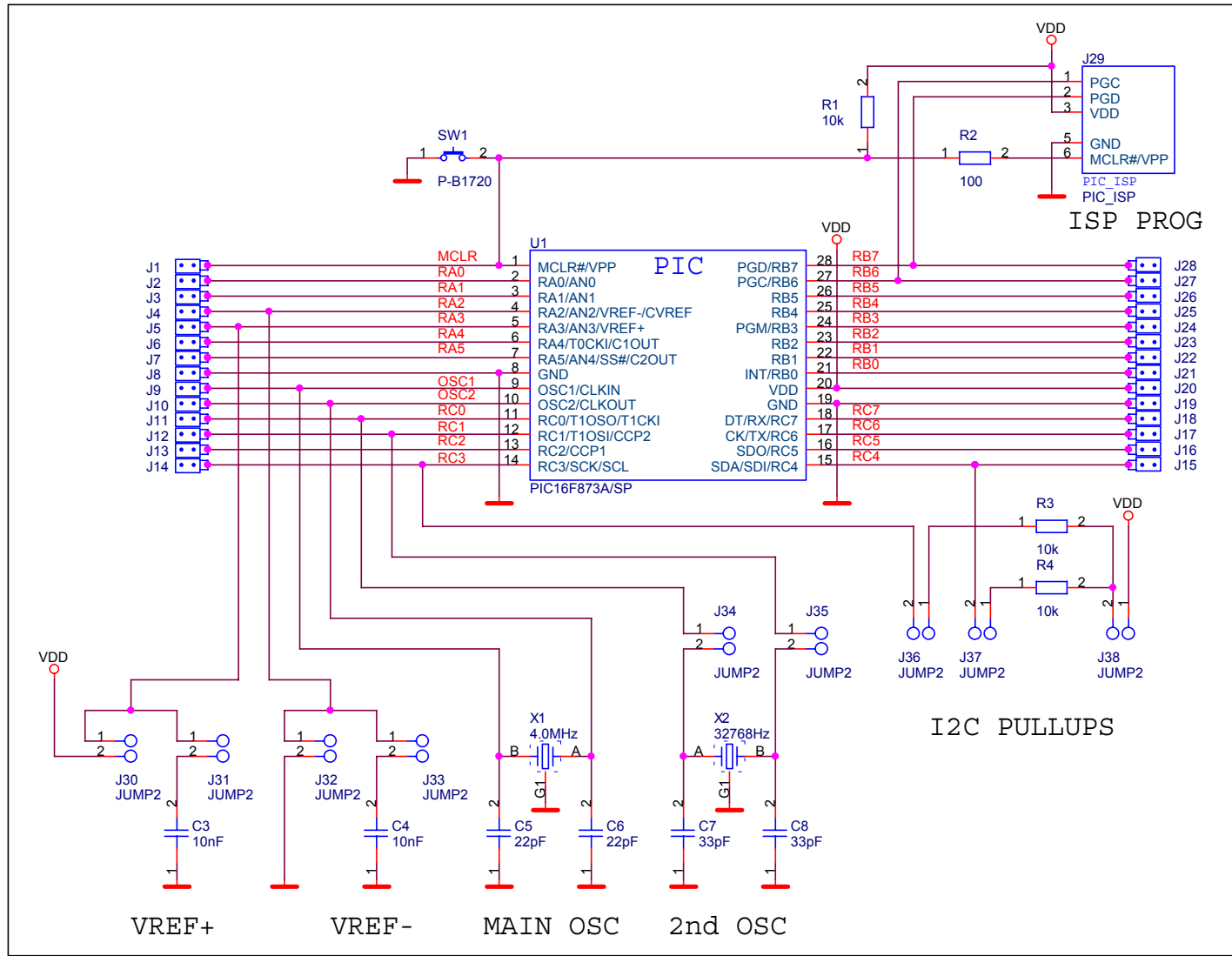
PIC16F87XS02801A

Version PIC16F87XS02801A has same
schematic except value and PCB
Footprint of U1 (PIC).

Hitory

1.0 First Version

Firma		Author	
MLAB		MIHO	
Size A4	Project Name MLAB	Schematic Name PIC16F87XDIL2801A	Rev 1.0
Date: 2	Sunday, September 12, 2004	Sheet 1	of 2



Firma		Author	
MLAB		MIHO	
Size	Project Name	Schematic Name	Rev
A4	MLAB	PIC16F87XDIL2801A	1.0
Date:	Sundav, September 12, 2004	Sheet	2 of 2
	2		1