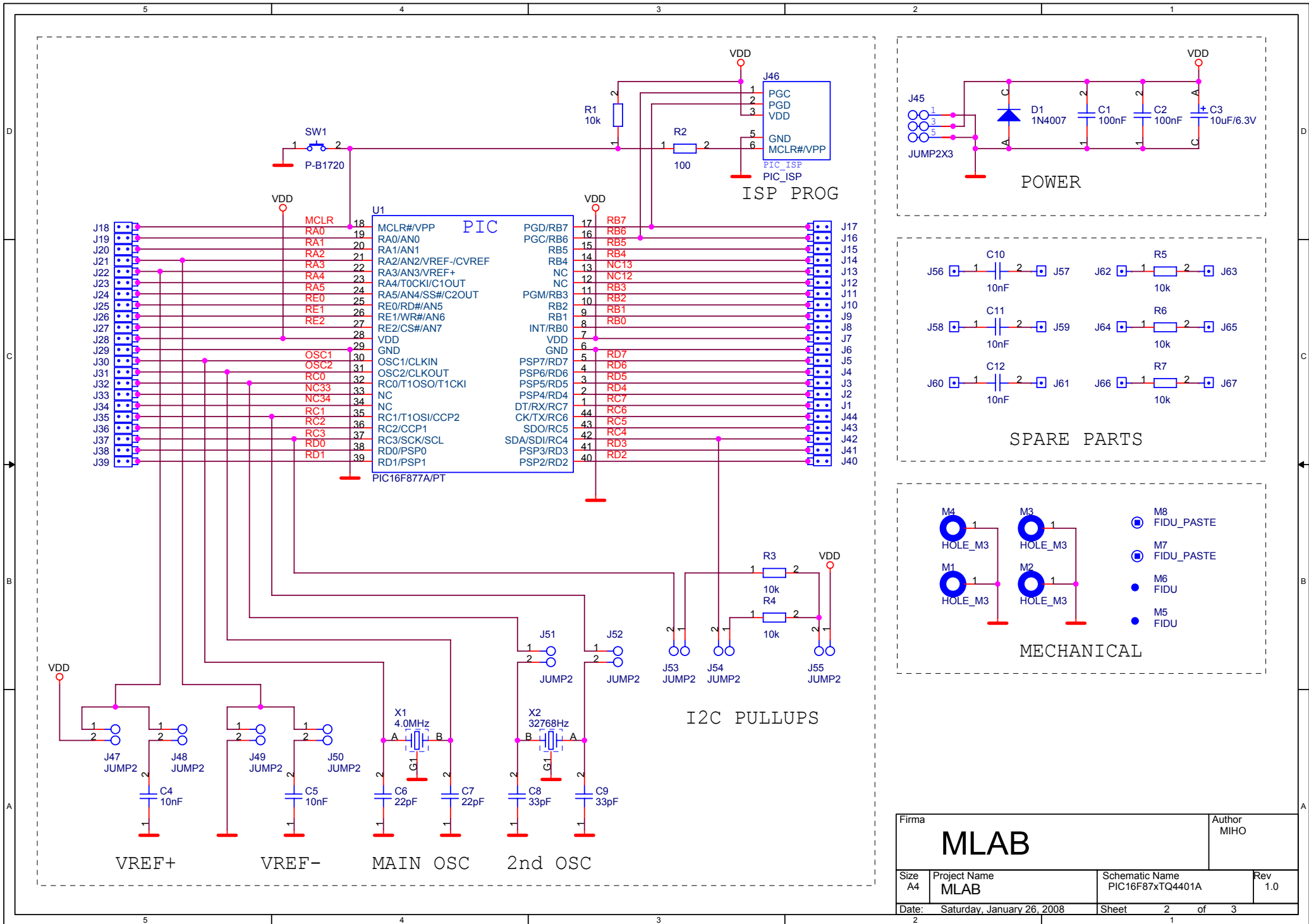


PIC16F87xTQ4401A

History

1.0 First Version - derived from PIC16F87xDIL2801A

Firma		MLAB		Author		MIHO	
Size	Project Name	Schematic Name		Rev			
A4	MLAB	PIC16F87xTQ4401A		1.0			
Date:		Saturday, January 26, 2008		Sheet		1 of 3	
				2		1	



Firma		Author MIHO	
MLAB			
Size A4	Project Name MLAB	Schematic Name PIC16F87xTQ4401A	Rev 1.0
Date: Saturday, January 26, 2008	Sheet 2	of 3	