

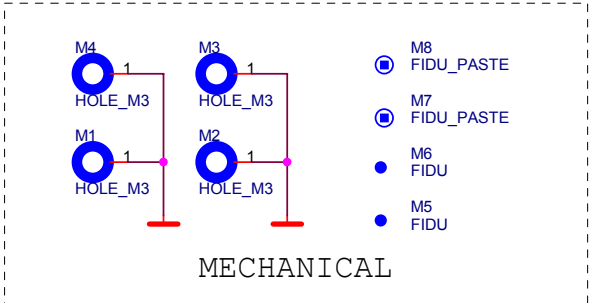
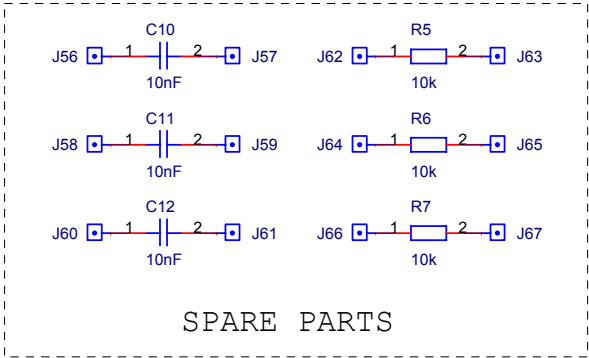
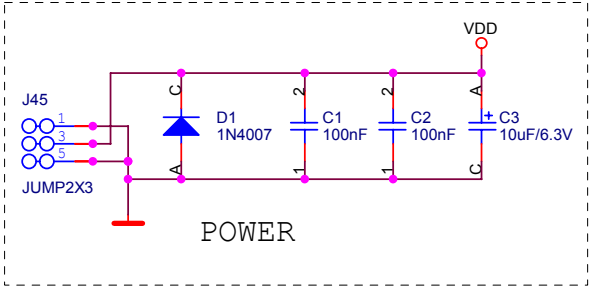
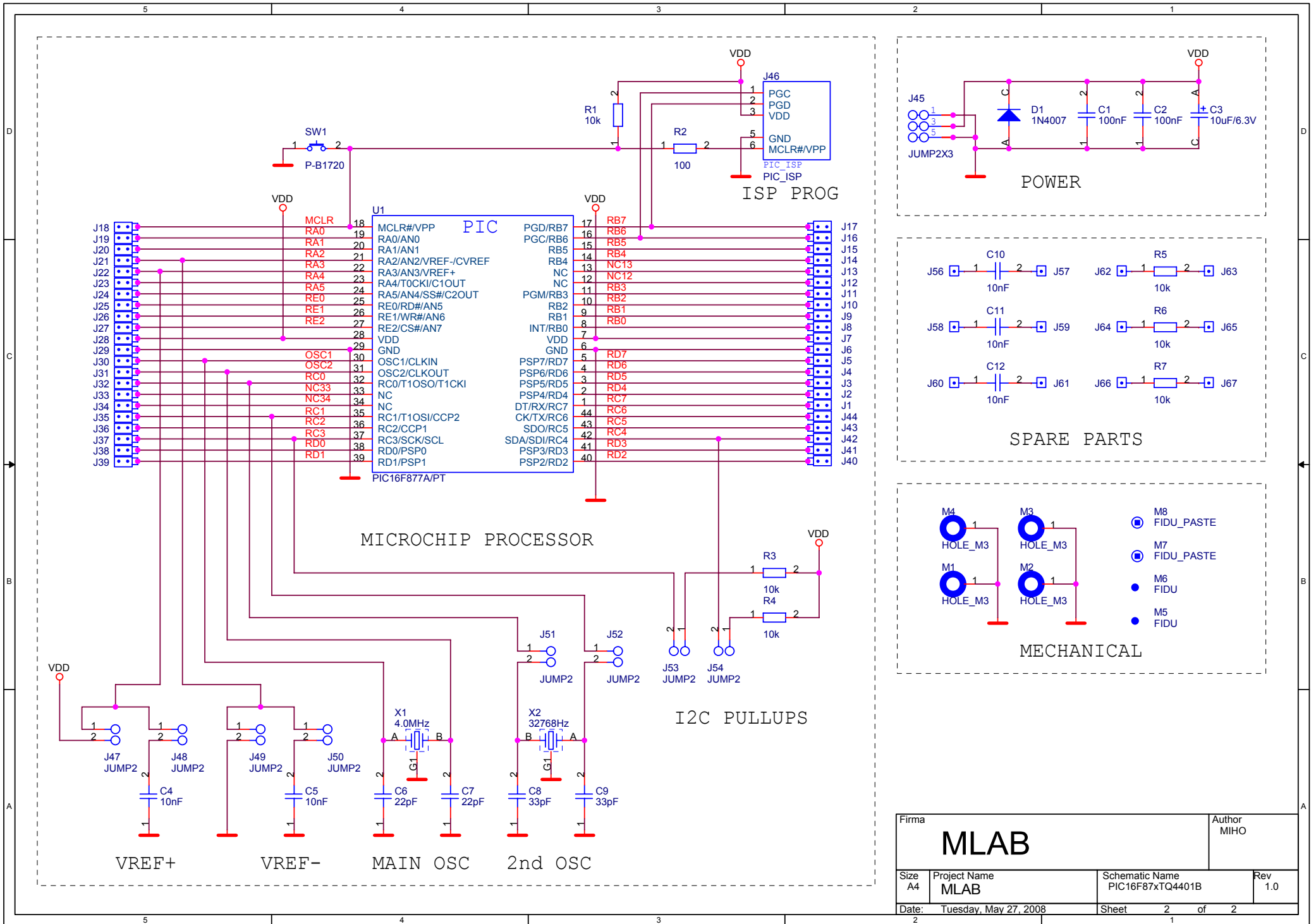
# PIC16F87xTQ4401B

## History

PIC16F87xTQ4401A - derived from PIC16F87xDIL2801A

PIC16F87xTQ4401B - derived from PIC16F87xTQ4401A and removed J55 (VDD pullup for I2C)

Firma		<b>MLAB</b>		Author		MIHO	
Size	Project Name	Schematic Name		Rev			
A4	MLAB	PIC16F87xTQ4401B		1.0			
Date:		Tuesday, May 27, 2008		Sheet		1 of 2	
				2		1	



Firma		Author	
<b>MLAB</b>		MIHO	
Size	Project Name	Schematic Name	Rev
A4	MLAB	PIC16F877xTQ4401B	1.0
Date:	Tuesday, May 27, 2008	Sheet	2 of 2
2		1	