

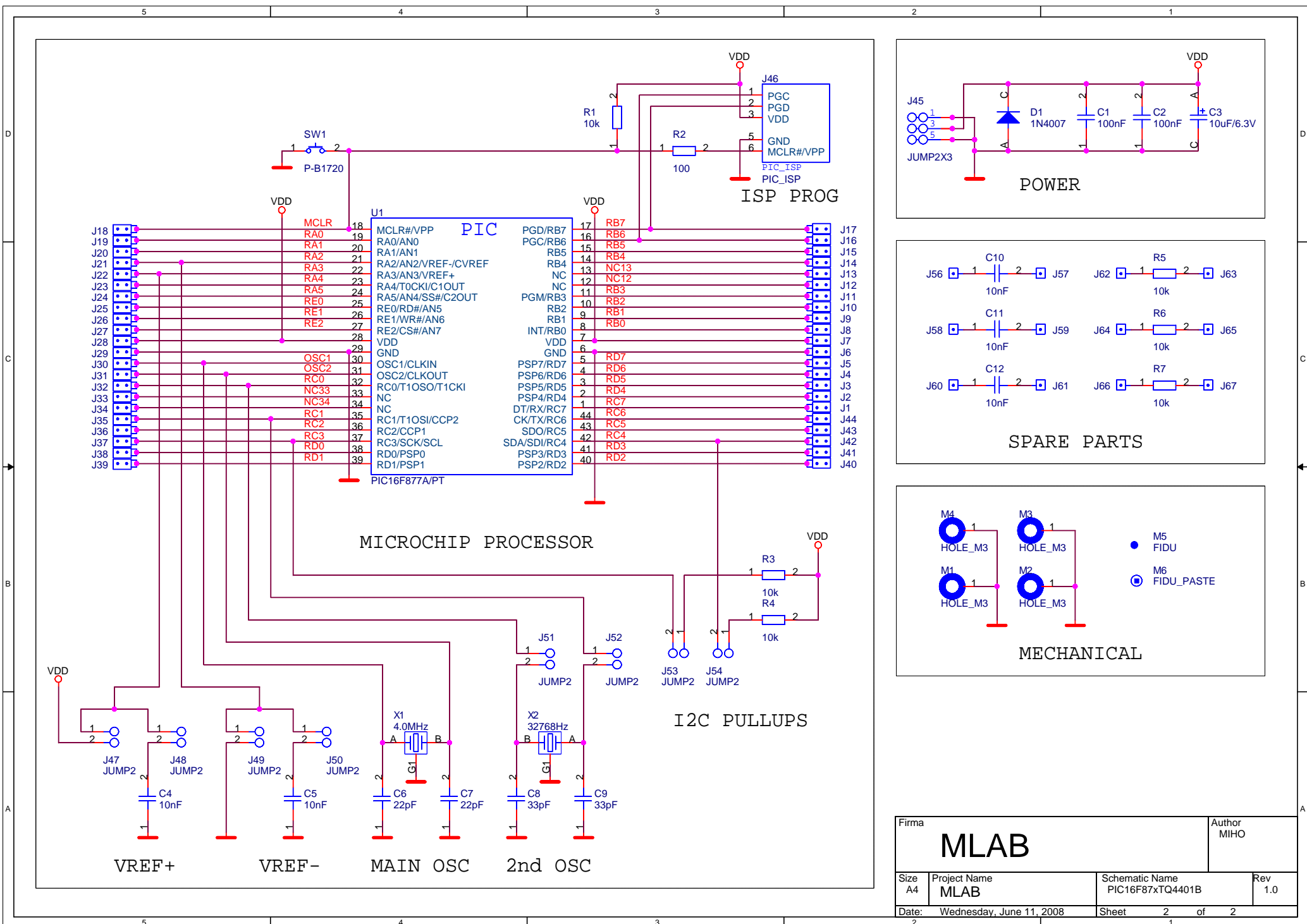
PIC16F87xTQ4401B

History

PIC16F87xTQ4401A - derived from PIC16F87xDIL2801A

PIC16F87xTQ4401B - derived from PIC16F87xTQ4401A and removed J55 (VDD pullup for I2C)

Firma		MLAB		Author	
				MIHO	
Size	Project Name	Schematic Name	Rev		
A4	MLAB	PIC16F87xTQ4401B	1.0		
Date:	Wednesday, June 11, 2008		Sheet	1	of 2



Firma		Author	
MLAB		MIHO	
Size	Project Name	Schematic Name	Rev
A4	MLAB	PIC16F87xTQ4401B	1.0
Date:	Wednesday, June 11, 2008	Sheet	2 of 2