

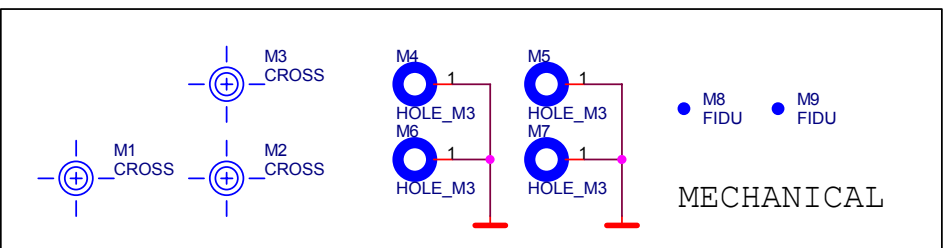
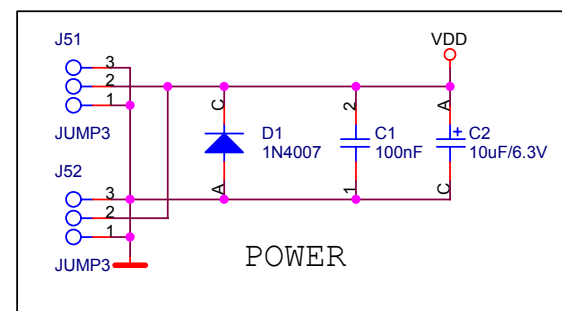
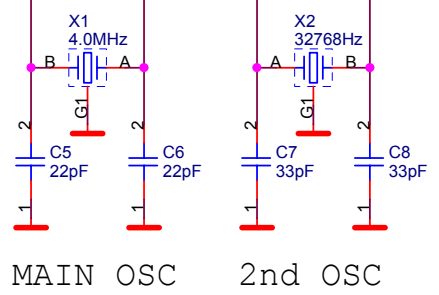
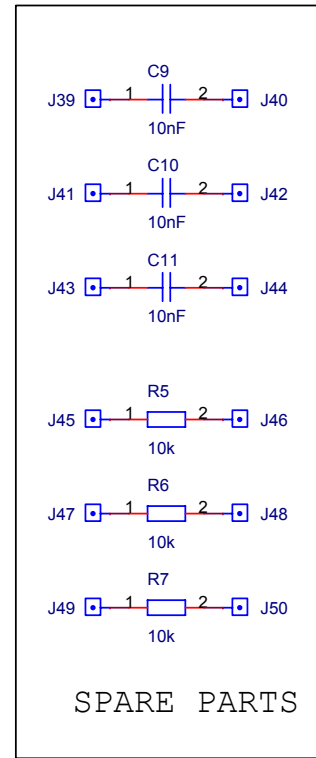
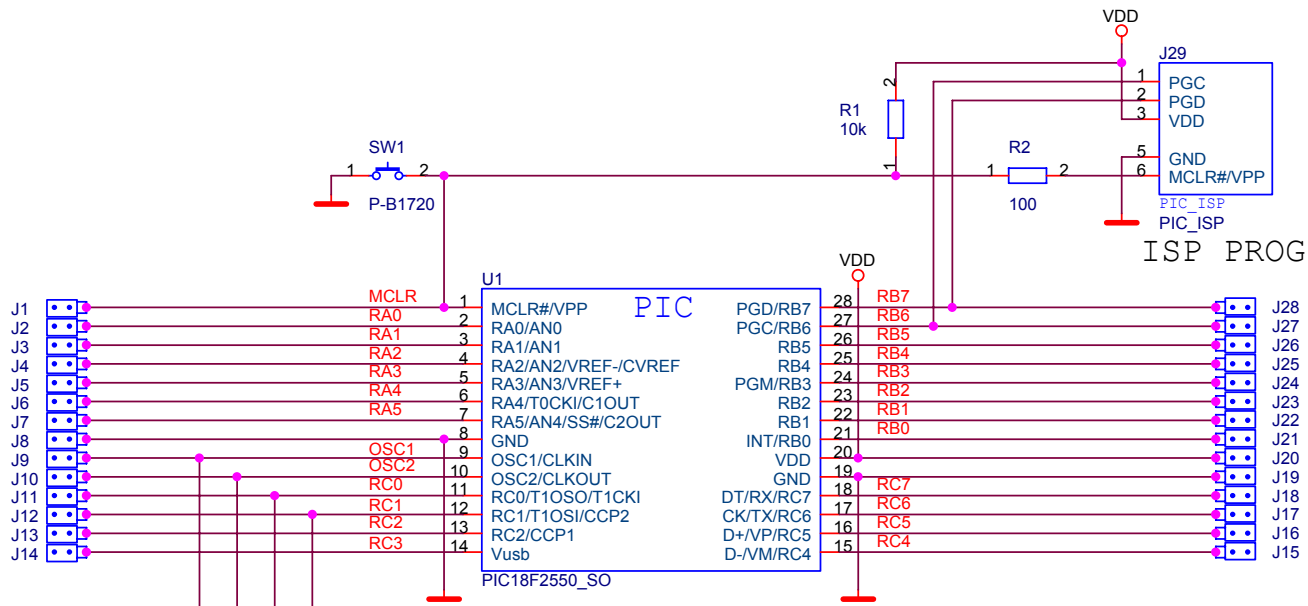
# PIC18F2550v01A

Derived from PIC16F87XS02801A  
-removed I2C support  
-removed VREF support

## History

1.0 First Version

Firma		<b>MLAB</b>		Author		MJJA/MIHO	
Size	Project Name	Schematic Name		Rev			
A4	MLAB	PIC18F2550v01A		1.0			
Date:	Friday, October 31, 2008		Sheet	1	of	2	



Firma <b>MLAB</b>		Author MIJA/MIHO	
Size A4	Project Name MLAB	Schematic Name PIC18F2550v01A	Rev 1.0
Date: Friday, October 31, 2008	Sheet 2 of 2		1