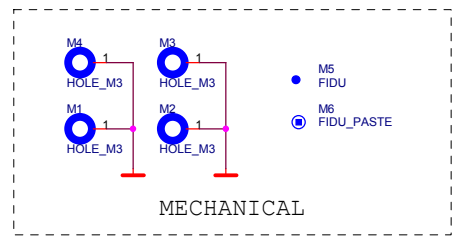
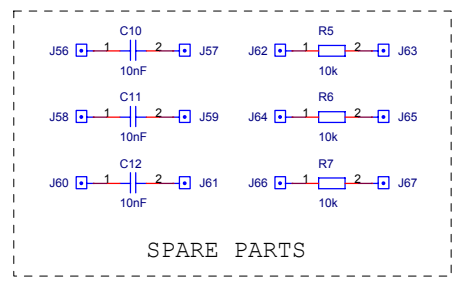
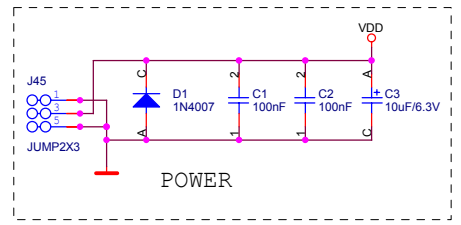
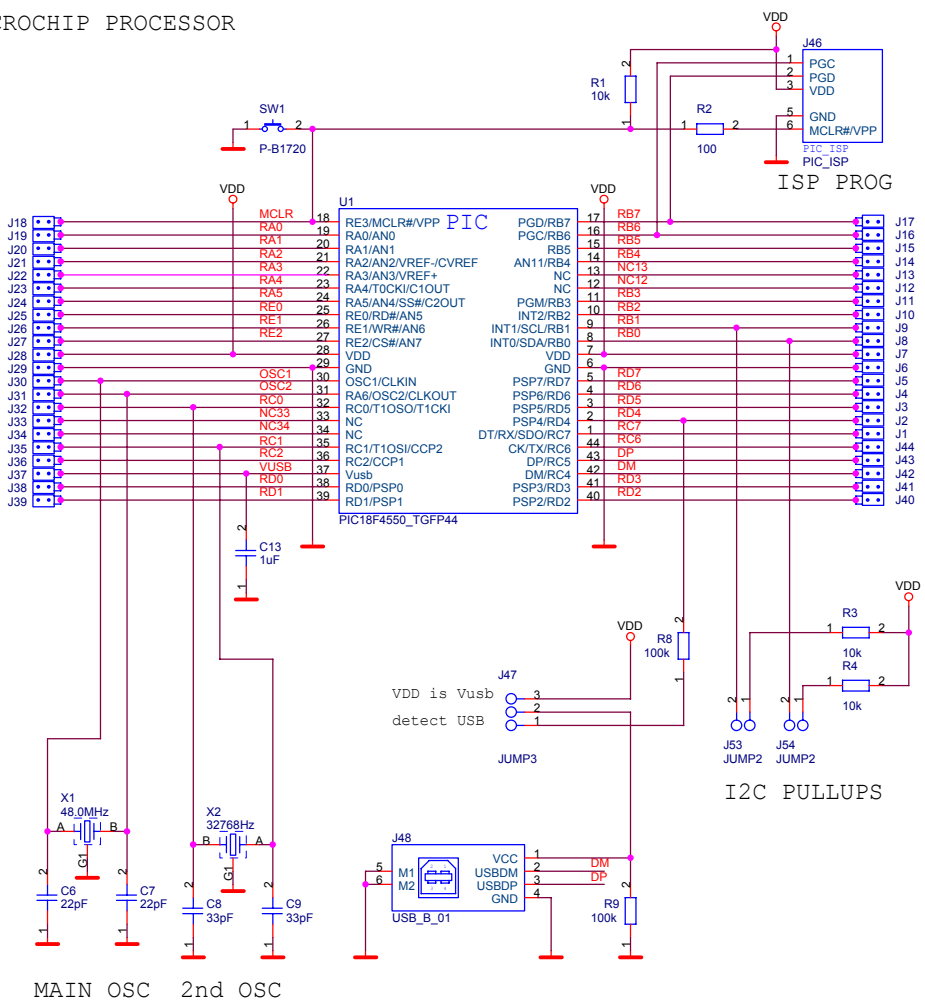


MICROCHIP PROCESSOR



Firma		Author	
<b>MLAB</b>		MIJA	
Size A4	Project Name MLAB	Schematic Name PIC18F4550v01A	Rev 1.0
Date: Monday, August 03, 2009	Sheet 2 of 2		