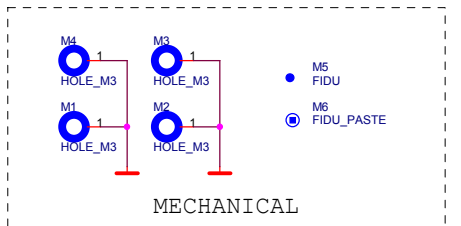
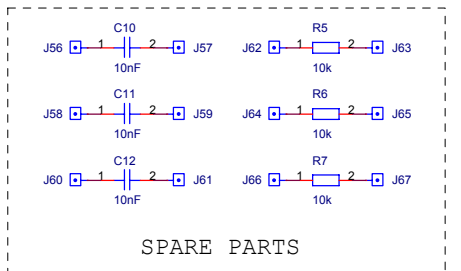
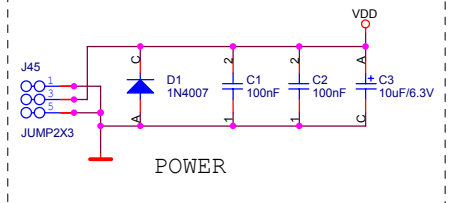
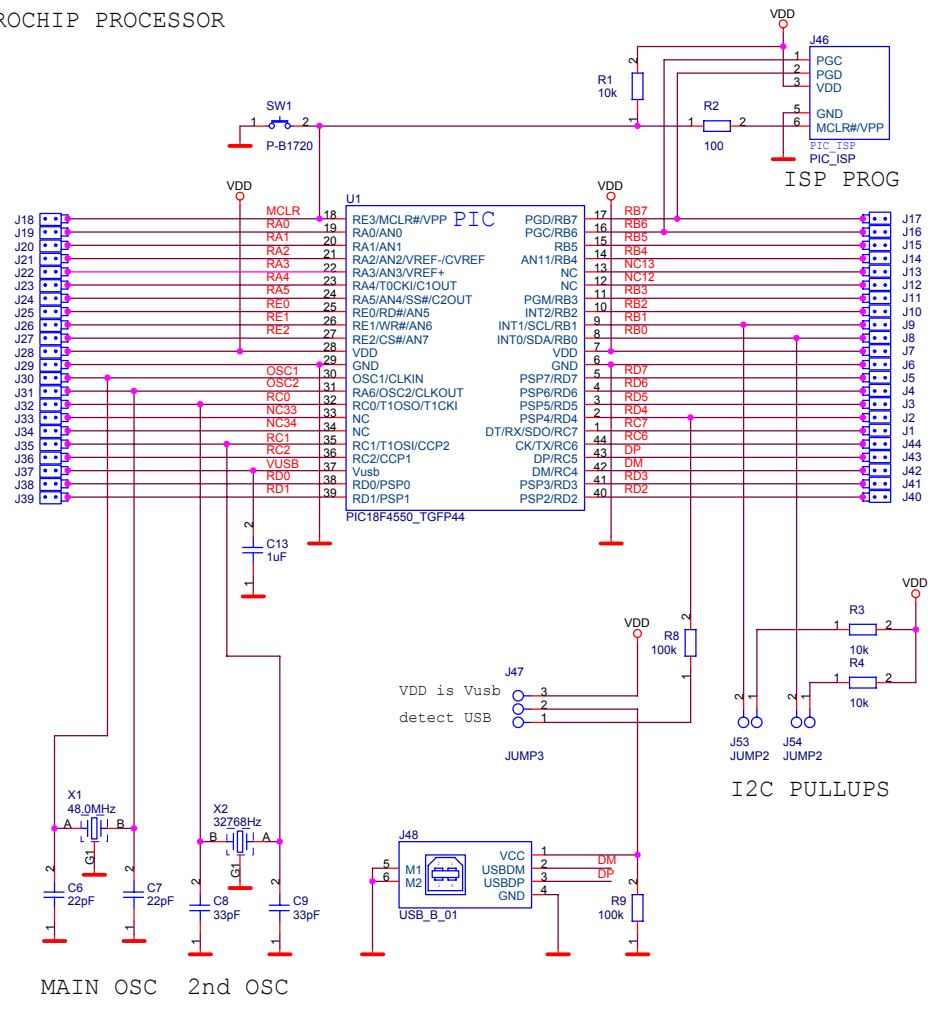


MICROCHIP PROCESSOR



Firma		Author	
MLAB		MIHO	
Size	Project Name	Schematic Name	Rev
A4	MLAB	PIC18F4550v01A	1.0
Date: Monday, August 03, 2009		Sheet 2 of 2	

MAIN OSC 2nd OSC

I2C PULLUPS

MECHANICAL

SPARE PARTS

ISP PROG