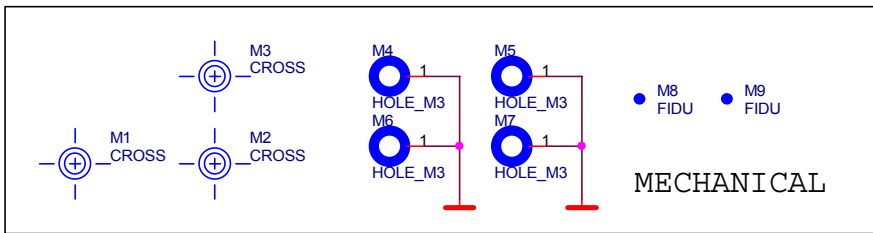
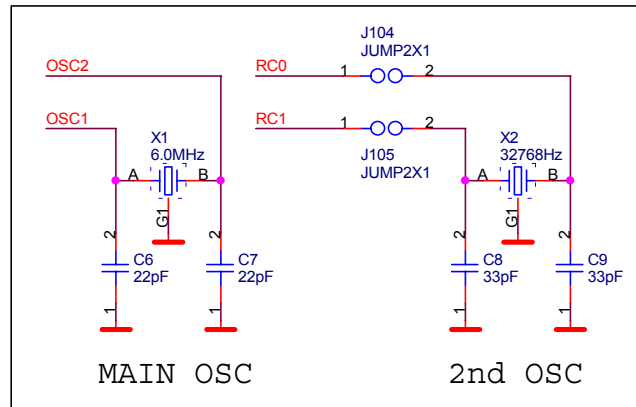
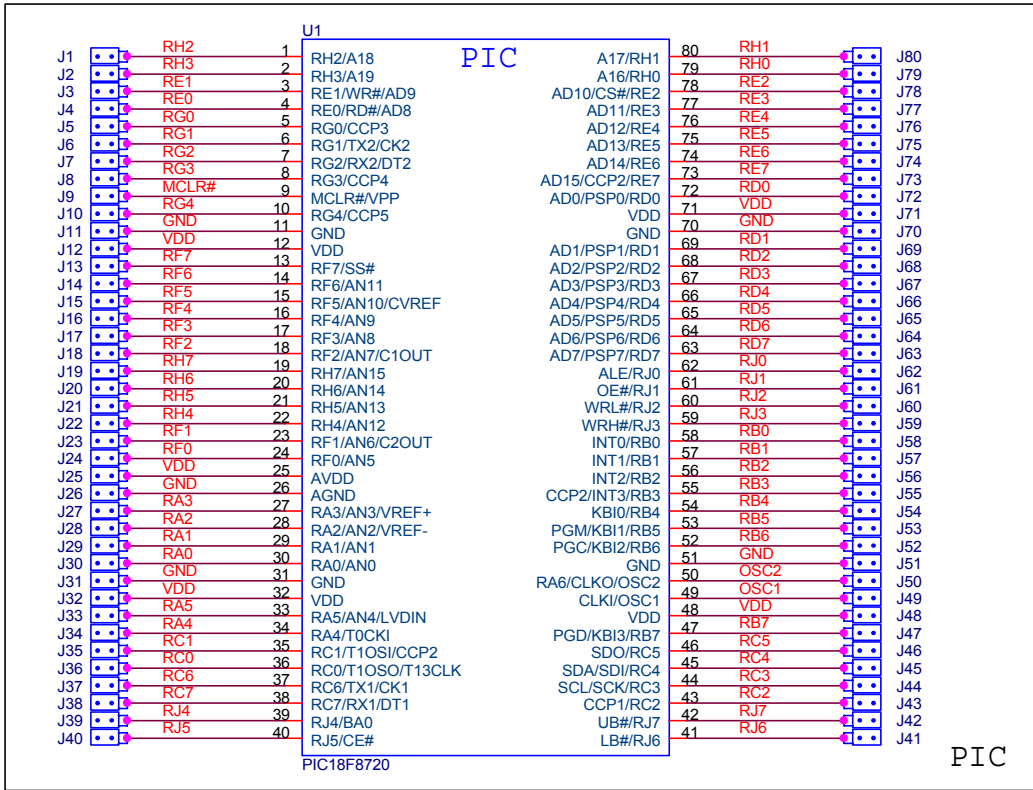
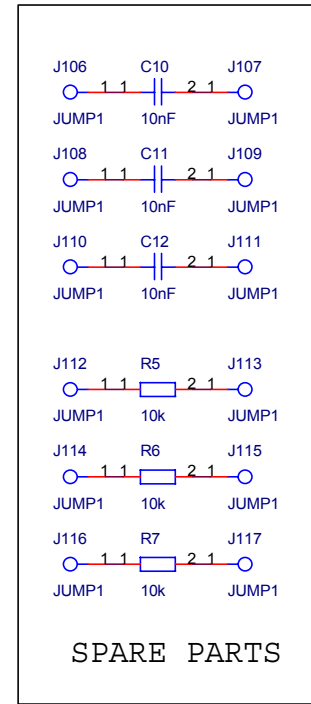
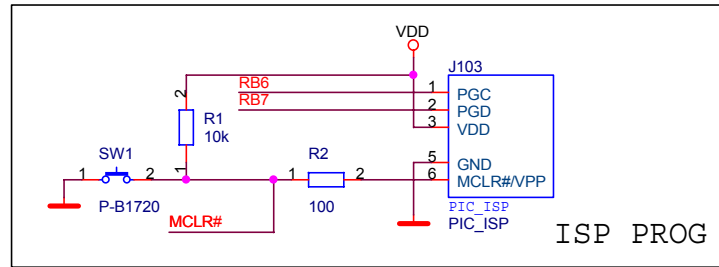
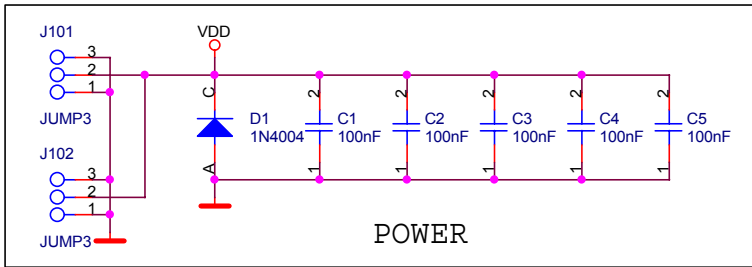


PIC18F87x2001A

History

1.0 First Version

Firma		MLAB		Author	
				MIHO	
Size	Project Name	Schematic Name	Rev		
A4	MLAB	PIC18F87x2001A	1.0		
Date:	Monday, September 27, 2004	Sheet	1	of	2
		2		1	



Firma		Author	
MLAB		MIHO	
Size	Project Name	Schematic Name	Rev
A4	MLAB	PIC18F87x2001A	0.0
Date:	Monday, September 27, 2004	Sheet	2 of 2