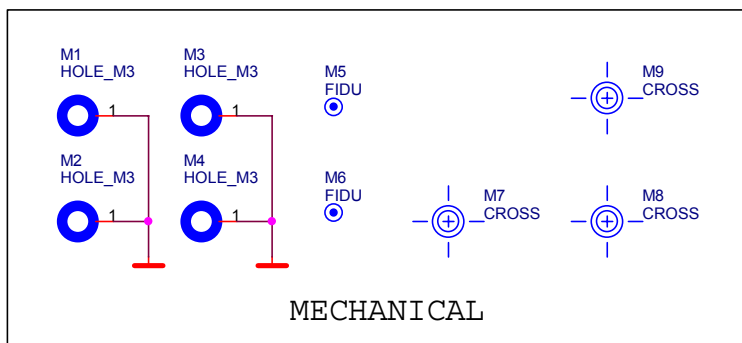
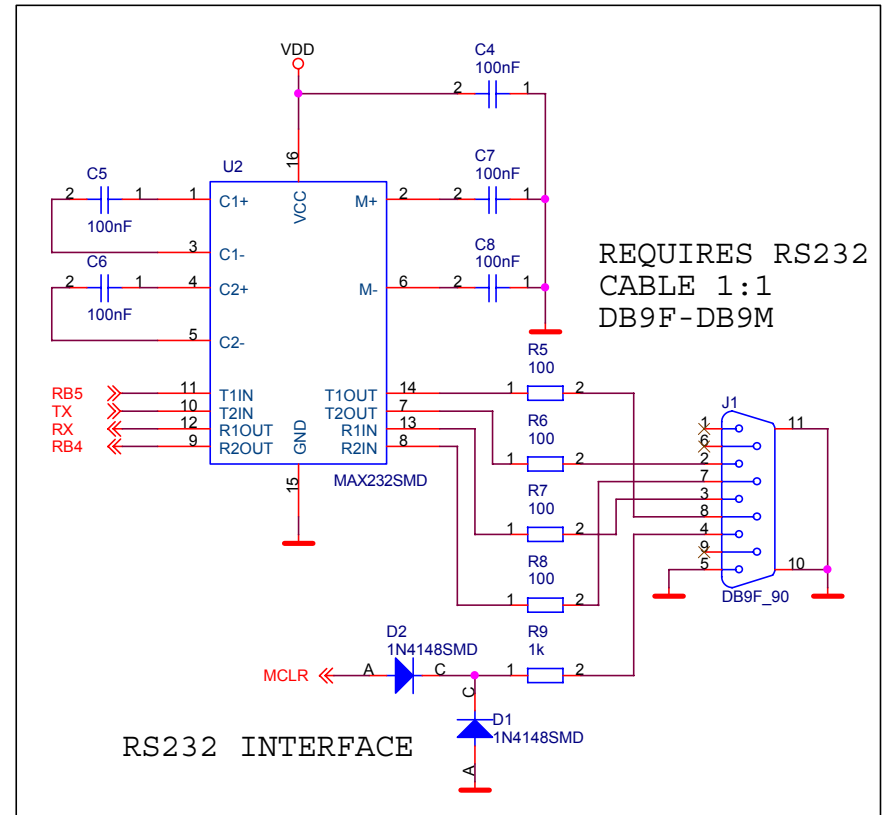
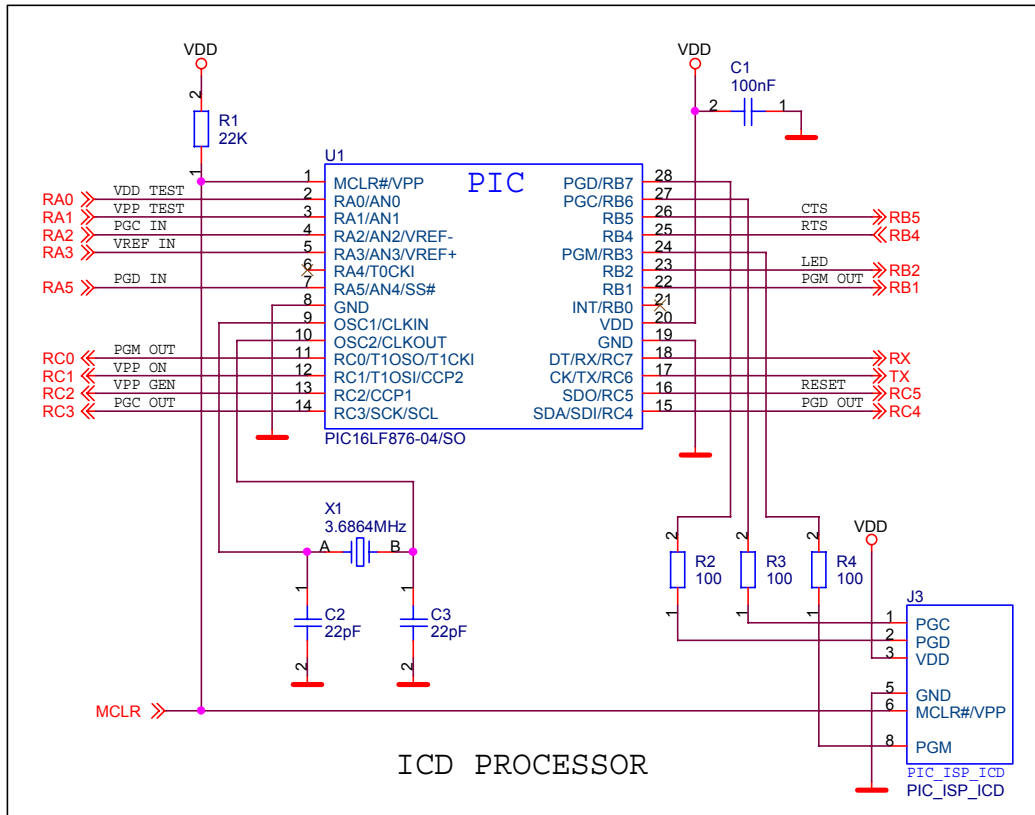


PICICD01B

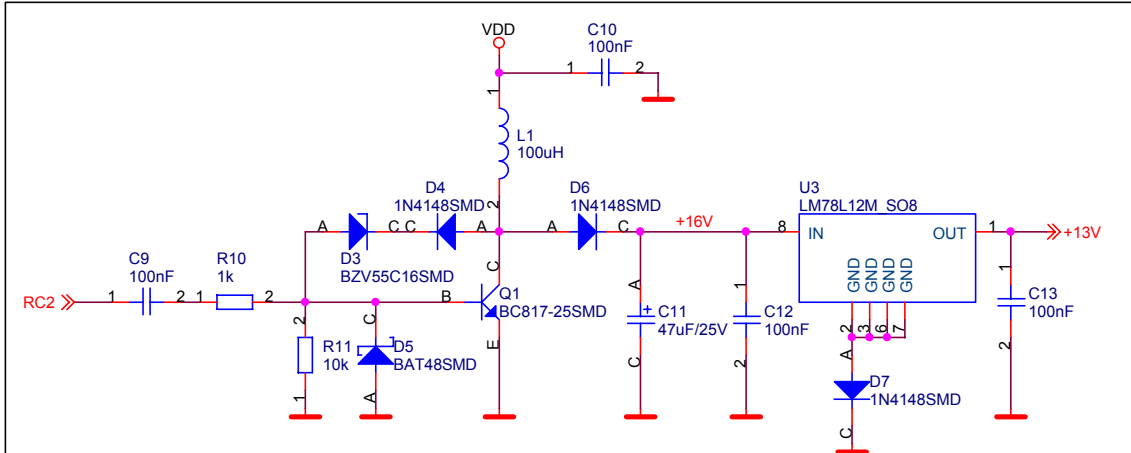
History

1.00 Derived from PICICD01A 1.01

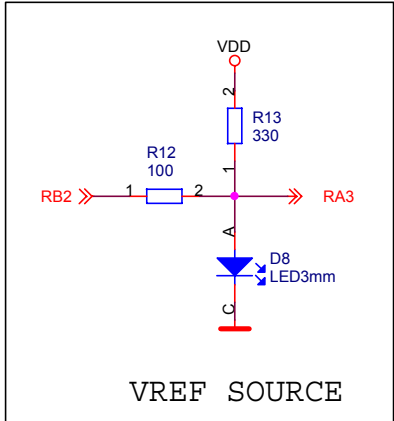
Firma		Author	
MLAB		MIHO	
Size	Project Name	Schematic Name	Rev
A4	MLAB	PICICD01B	1.00
Date:	Saturday, May 07, 2005	Sheet	1 of 3
	2		1



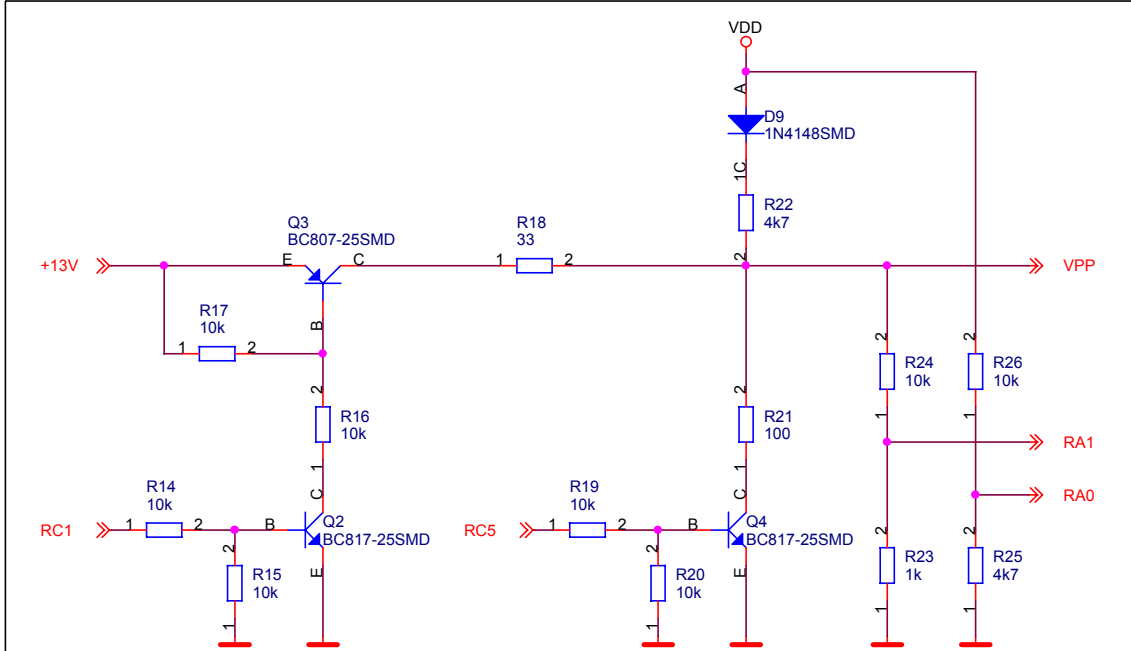
Firma		Author	
MLAB		MIHO	
Size	Project Name	Schematic Name	Rev
A4	MPLAB	PICICD01B	1.00
Date:	Saturday, May 07, 2005	Sheet	2 of 3
	2		1



POWER SOURCE



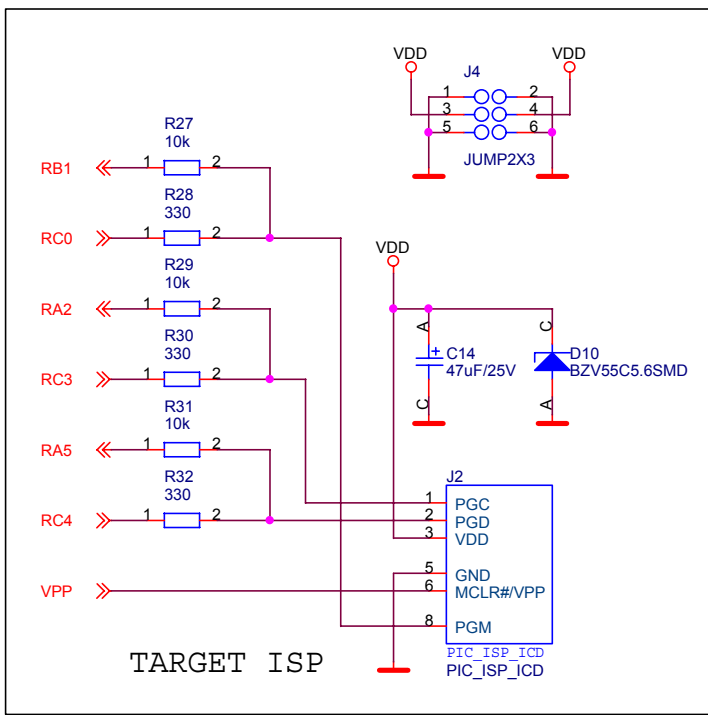
VREF SOURCE



VPP SWITCH

RESET SWITCH

TEST VOLTAGE



TARGET ISP

Firma		Author	
MLAB		MIHO	
Size	Project Name	Schematic Name	Rev
A4	MLAB	PICICD01B	1.00
Date:	Saturday, May 07, 2005	Sheet	3 of 3
2		1	