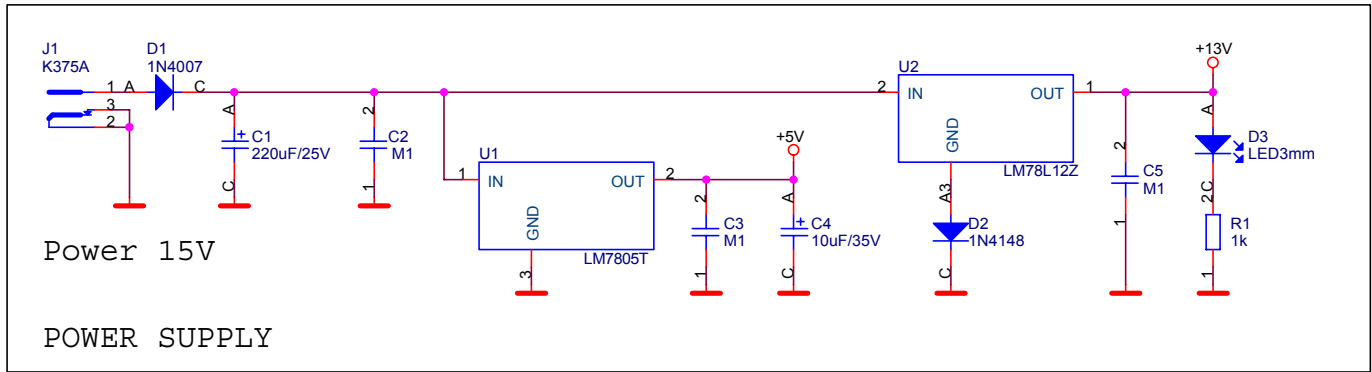


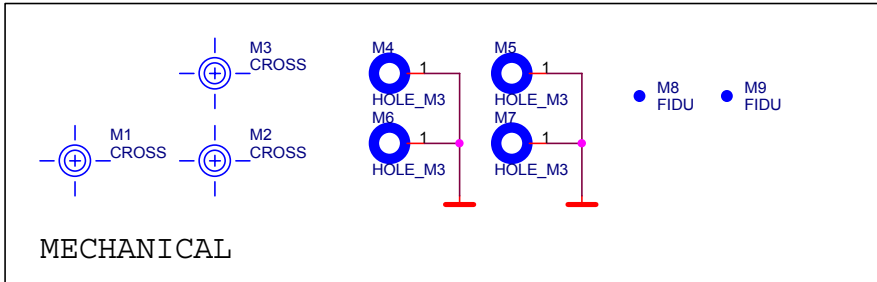
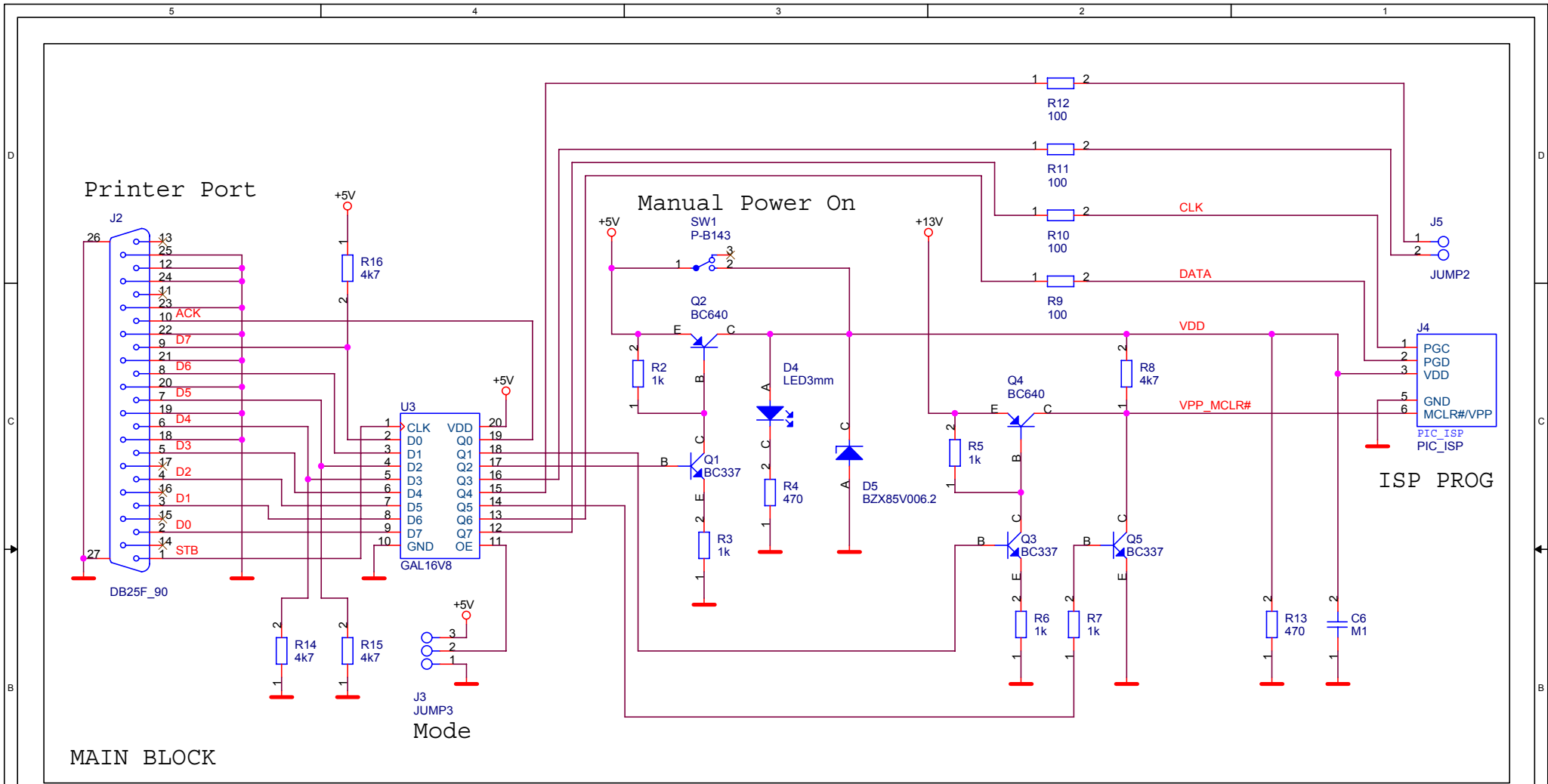
# PICPGR 3

Hitory  
1.0 First Version

Firma		<b>MLAB</b>		Author	
				MIHO	
Size	Project Name	Schematic Name	Rev		
A4	MLAB	PICPGR301A	1.0		
Date:	Saturday, May 15, 2004	Sheet	1	of	3



Firma		MLAB		Author		MIHO	
Size	Project Name	Schematic Name		Rev			
A4	MLAB	PICPGR301A		1.0			
Date:	Saturday, May 15, 2004	Sheet	2	of	3		



Firma		<b>MLAB</b>		Author	MIHO
Size	Project Name	Schematic Name	Rev		
A4	MLAB	PICGR301A	1.0		
Date:	Saturday, May 15, 2004	Sheet	3	of	3
		1			