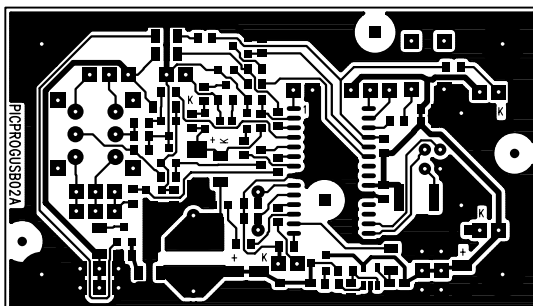
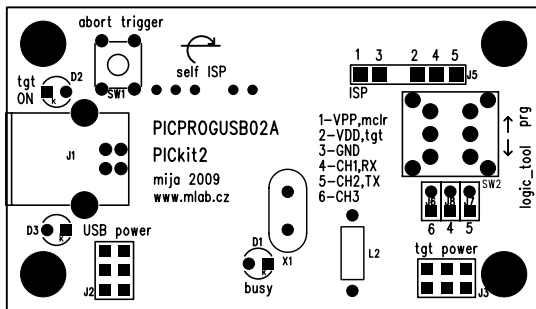


krizkem oznacena katoda diody a kladny pol elektrolit. kondenzatoru



Quantity	Reference	Part	PCB Footprint
6	C1,C6,C8,C10,C11,C12	100nF	C0805
3	C2,C9,C13	10uF/16V	ELYTB
1	C3	470nF	C0805
2	C4,C5	22pF	C0805
1	C7	47uF/25V	ELYTC
1	D1	R	LED3
1	D2	Y	LED3
1	D3	G	LED3
2	D6,D4	BAT48SMD	MINIMELF
1	D5	1N4148SMD	SOD87
1	F1	RXE075E SMD	F1812
1	J1	USB_B_01	USB_B_01
2	J2,J3	JUMP2X3	JUMP2X3
1	J4	Self ISP	PIC ISP
1	J5	Target ISP	PIC ISP
1	J6	AUX	JUMP2X1
2	J7,J8	JUMP2X1	JUMP2X1
1	L1	680uH	L1210_MJIA
1	L2	#	LL100
4	M1,M2,M3,M4	HOLE_M3	HOLE_M3
2	M5,M6	FIDU	FIDU
2	M7,M8	FIDU PASTE	FIDU PASTE
2	Q5,Q1	BS250SMD	SOT23
4	Q2,Q4,Q6,Q10	BC807SMD	SOT23
1	Q3	BS170SMD	SOT23
3	Q7,Q8,Q9	BC817SMD	SOT23
3	R1,R2,R3	470	R0805
3	R4,R9,R29	2k7	R0805
8	R5,R14,R20,R21,R22,R23,R27,R28	10k	R0805
3	R6,R12,R30	10	R0805
4	R7,R13,R31,R32	33	R0805
4	R8,R10,R16,R25	4k7	R0805
2	R24,R11	1k	R0805
1	R15	820	R0805
1	R17	100k	R0805
1	R18	10k	R1206
2	R26,R19	100	R0805
3	R33,R34,R35	0	R1206
1	SW1	PUSH050x050	PUSH050x050
1	SW2	switch	SW-2XDPDT
1	U1	PIC18F2550_28_PIN	SO28_300
1	U2	MCP6001T-I/OTG	SOT23-5
1	X1	20MHz	XTAL050