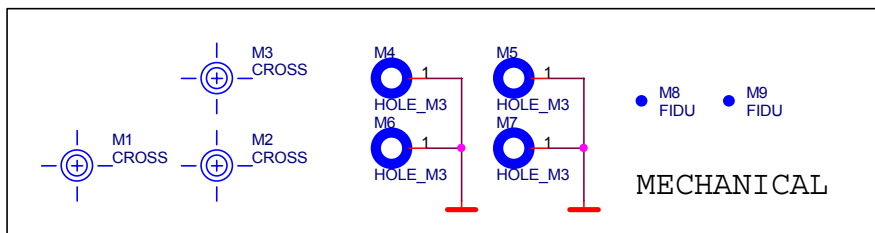
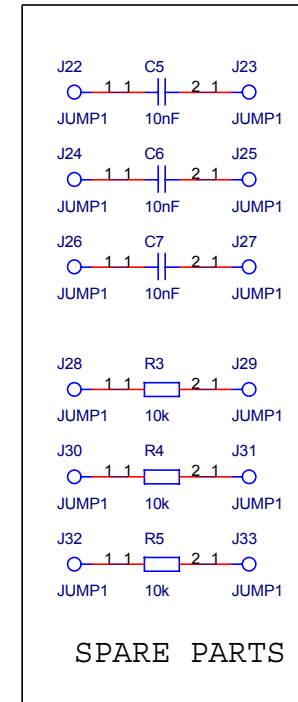
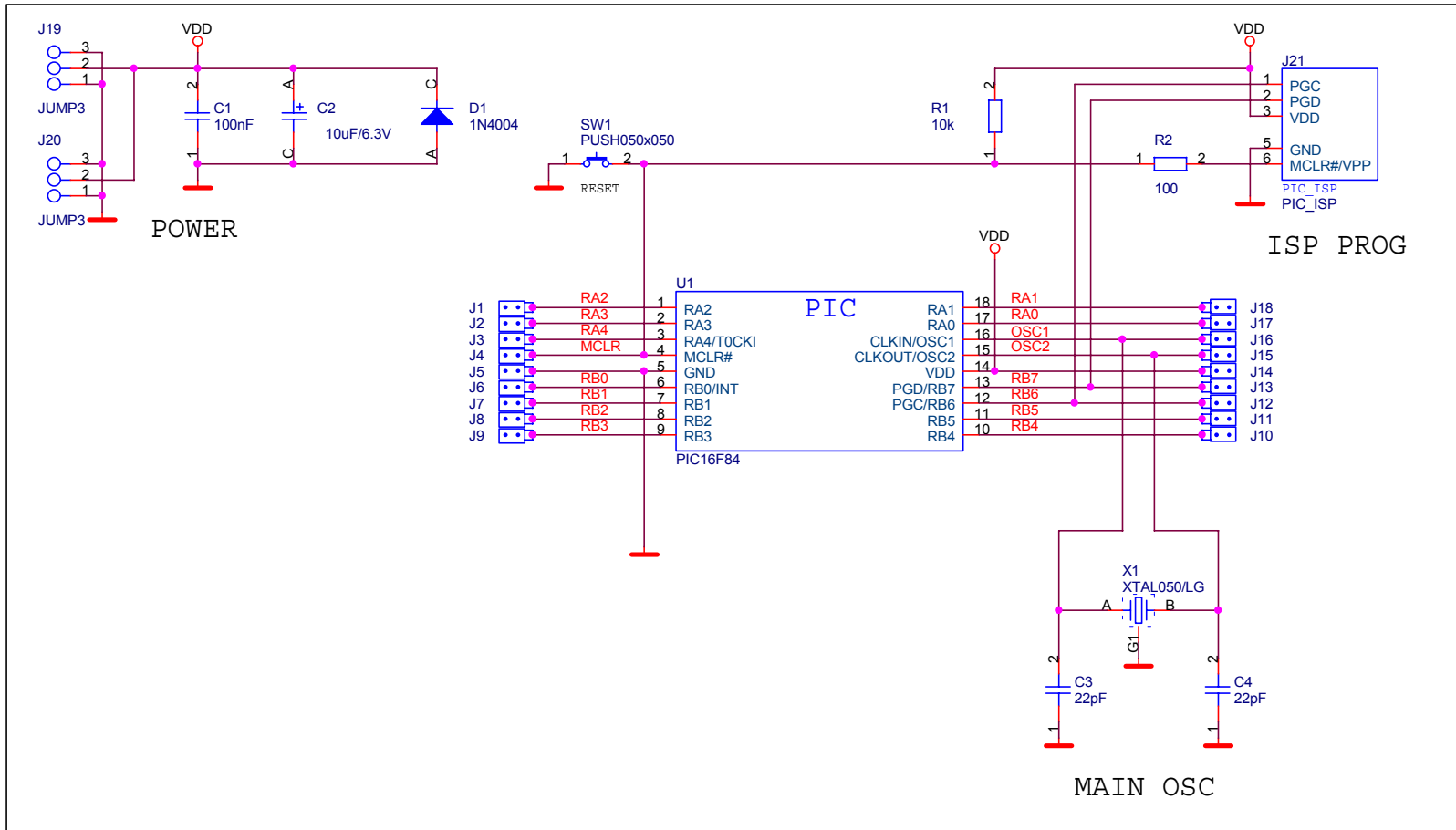


PIC16F84SO1801A

Hitory

1.0 First Version

Firma		MLAB		Author MIHO	
Size A4	Project Name MLAB	Schematic Name PIC16F84SO1801A	Rev 1.0		
Date:	Saturday, July 24, 2004	Sheet	1	of	2



Firma MLAB		Author MIHO	
Size A4	Project Name MLAB	Schematic Name PIC16F84SO1801A	Rev 1.0
Date Saturday, July 24, 2004	Sheet 2		of 2