

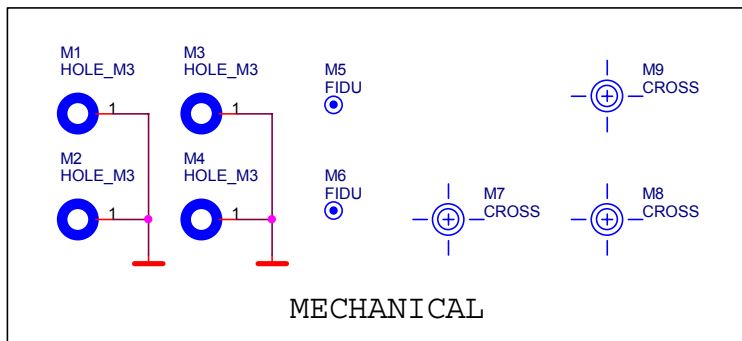
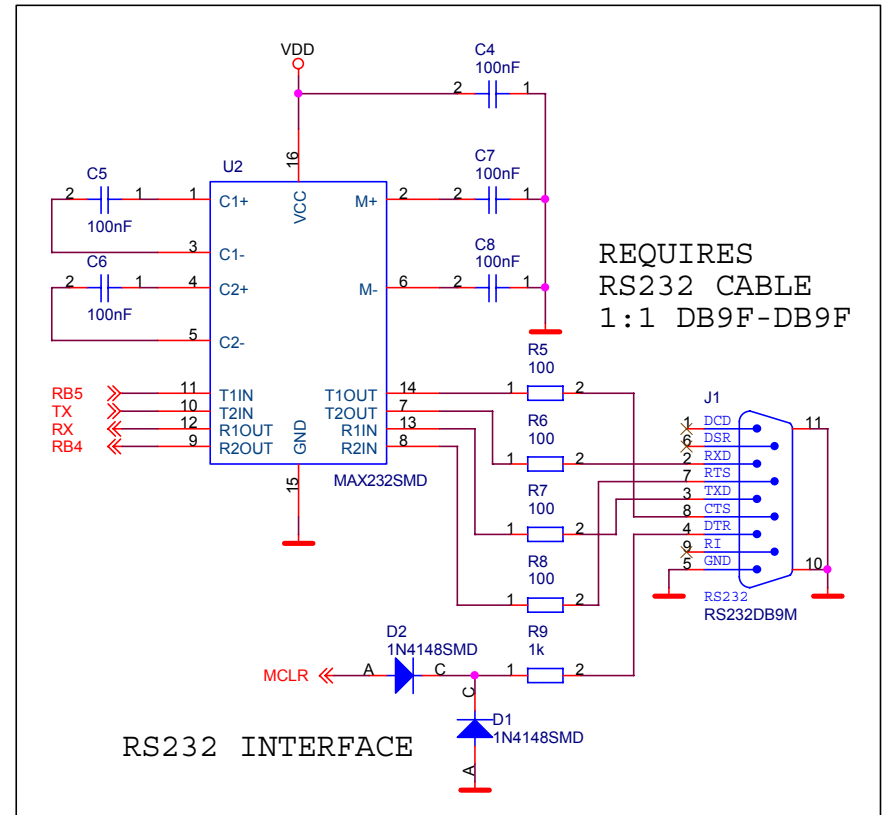
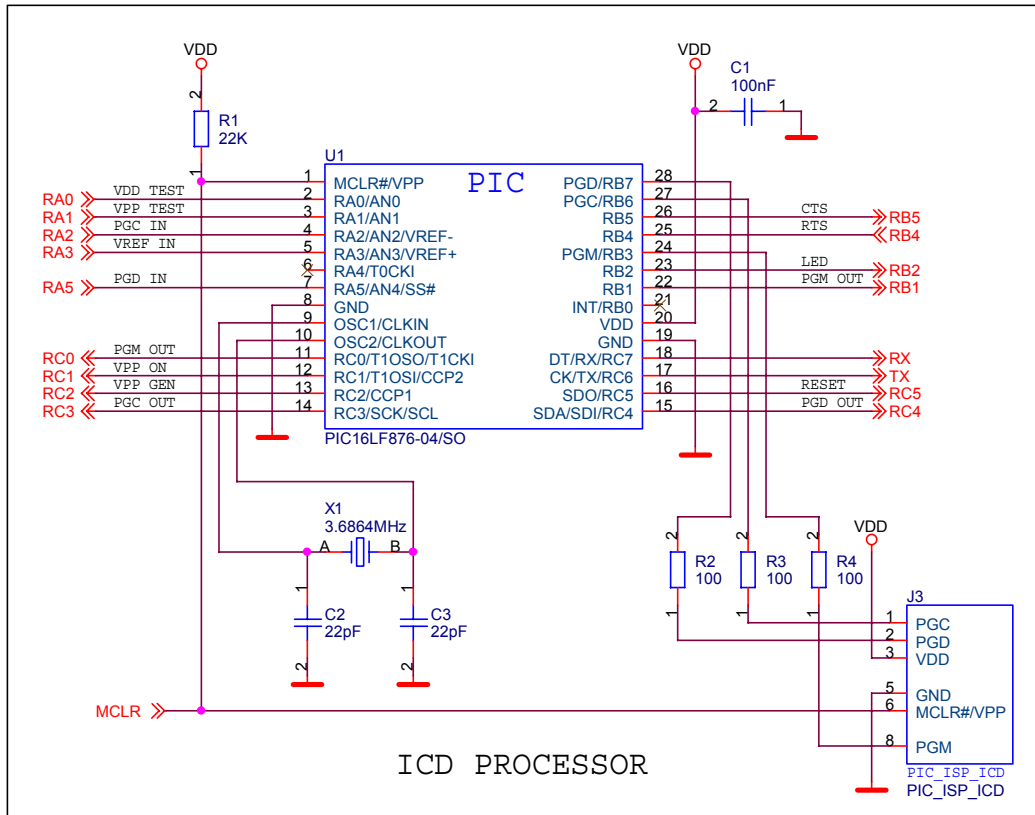
# PICICD01A

## History

1.00 First Version, MICROCHIP ICD Compatible

1.01 Revised version

|             |                          |                |        |
|-------------|--------------------------|----------------|--------|
| Firma       |                          | Author         |        |
| <b>MLAB</b> |                          | MIHO           |        |
| Size        | Project Name             | Schematic Name | Rev    |
| A4          | MLAB                     | PICICD01A      | 1.01   |
| Date:       | Saturday, April 16, 2005 | Sheet          | 1 of 3 |
|             | 2                        |                | 1      |



|             |                          |                |        |
|-------------|--------------------------|----------------|--------|
| Firma       |                          | Author         |        |
| <b>MLAB</b> |                          | MIHO           |        |
| Size        | Project Name             | Schematic Name | Rev    |
| A4          | MPLAB                    | PICICD01A      | 1.01   |
| Date:       | Saturday, April 16, 2005 | Sheet          | 2 of 3 |
|             | 2                        |                | 1      |

