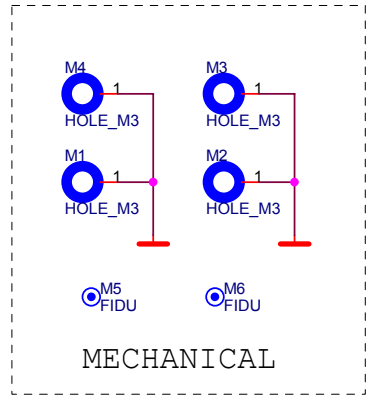
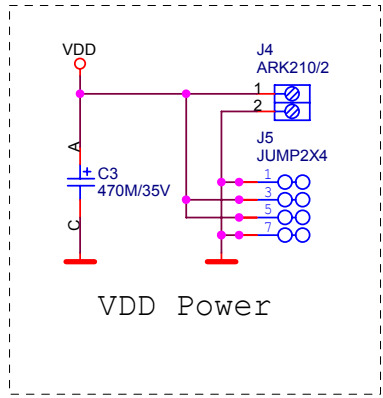
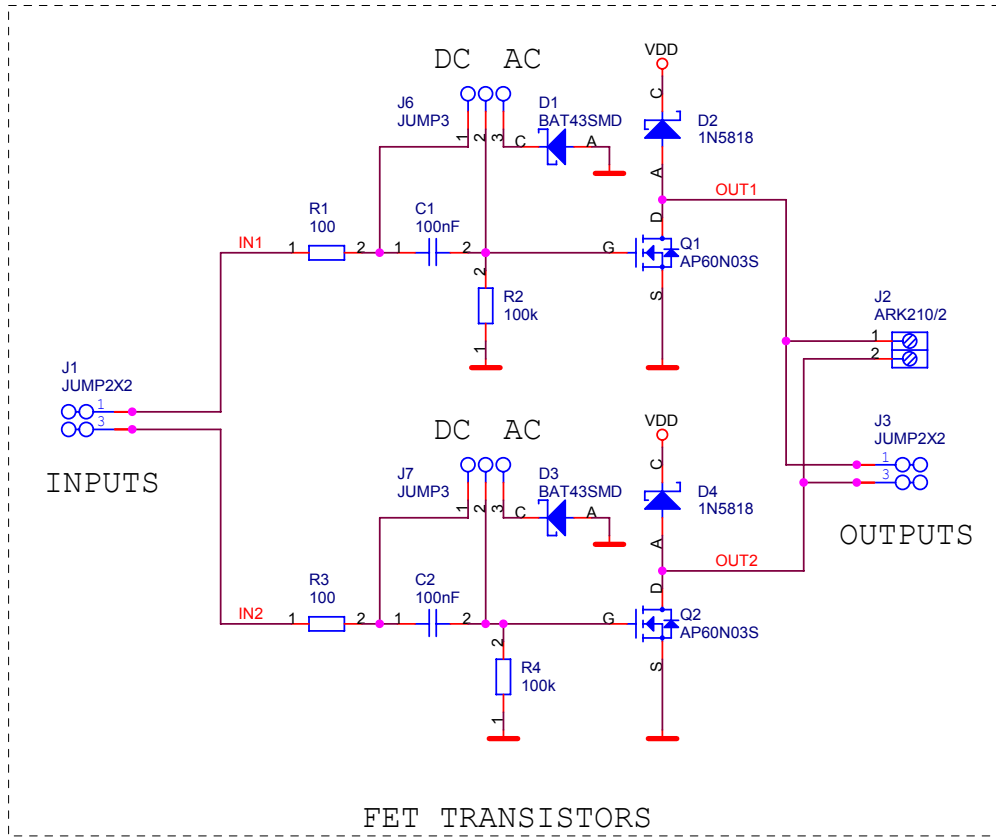


NFET2X01A

History

- 1.00 Derived from NFET4X01A
- 1.01 Used Schottky D in the Gate circuit

Firma		MLAB		Author		MIHO		
Size	Project Name	Schematic Name		Rev				
A4	MLAB	NFET2X01A		1.01				
Date:	Sunday, December 02, 2007		Sheet		1 of 2			



Which FET to use:

You can use any suitable power n-fet transistor you wish.
 It has to be in TO-263 package (known as D-PAK as well). May be used smaller transistor in TO-252 package.
 We use transistors from dead mainboards. There are pretty transistors with voltage about 30-60V and continuous current 30-60A.

Firma		Author	
MLAB		MIHO	
Size A4	Project Name MLAB	Schematic Name NFET2X01A	Rev 1.01
Date:	Sunday, December 02, 2007	Sheet	2 of 2