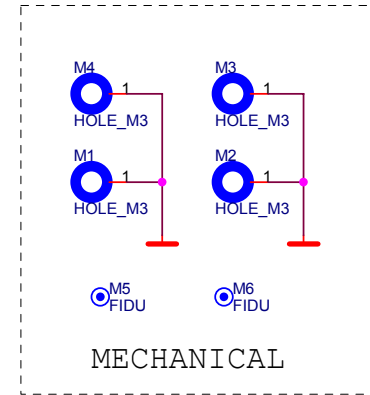
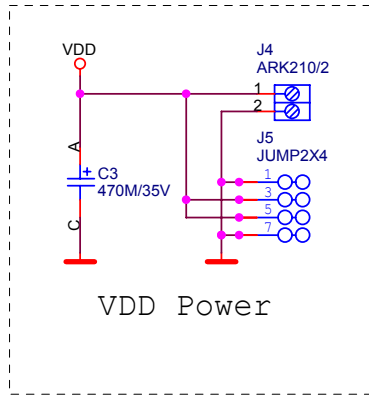
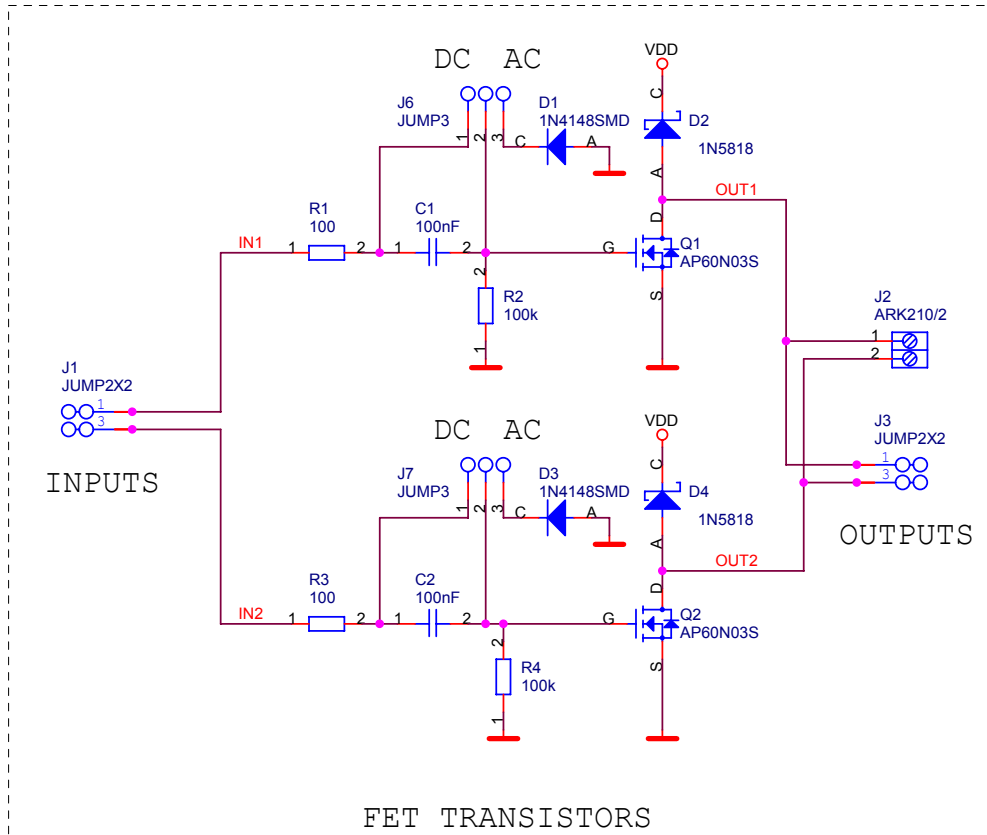


NFET2X01A

History

1.00 Derived from NFET4X01A

Firma		MLAB		Author	MIHO
Size	Project Name	Schematic Name	Rev		
A4	MLAB	NFET2X01A	1.00		
Date:	Friday, November 30, 2007	Sheet	1	of	2



Which FET to use:

You can use any suitable power n-fet transistor you wish. It has to be in TO-263 package (known as D-PAK as well). May be used smaller transistor in TO-252 package. We use transistors from dead mainboards. There are pretty transistors with voltage about 30-60V and continuous current 30-60A.

Firma		Author	
MLAB		MIHO	
Size A4	Project Name MLAB	Schematic Name NFET2X01A	Rev 1.00
Date:	Friday, November 30, 2007	Sheet	2 of 2