

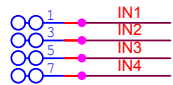
NFET4X01A

History

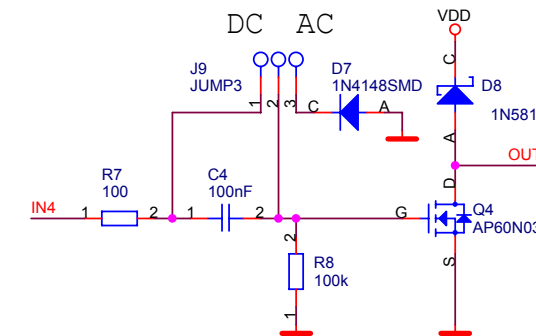
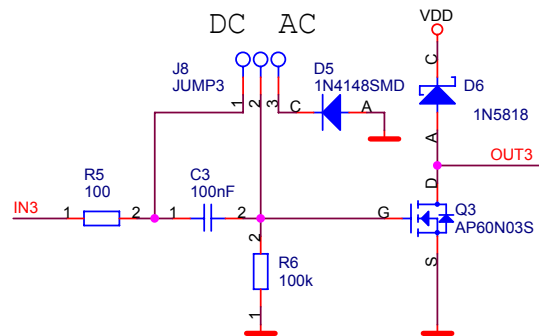
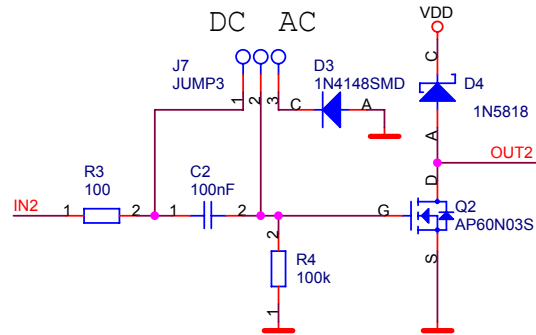
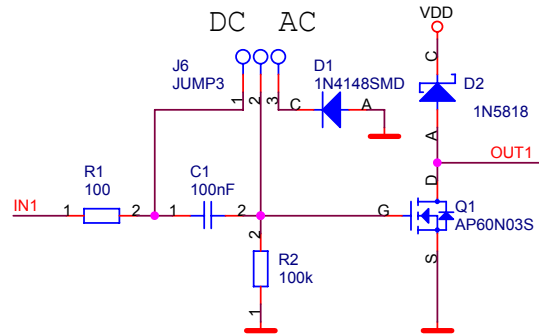
1.00 First Version

Firma		MLAB		Author	MIHO
Size	Project Name	Schematic Name	Rev		
A4	MLAB	NFET4X01A	1.00		
Date:	Thursday, November 29, 2007	Sheet	1	of	2

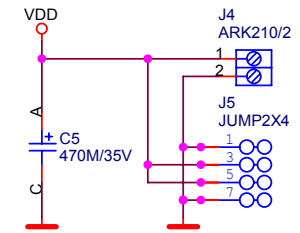
J1
JUMP2X4



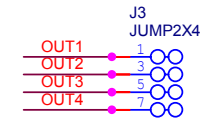
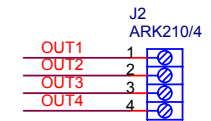
INPUTS



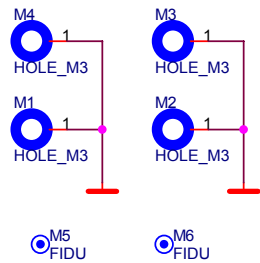
FET TRANSISTORS



VDD Power



OUTPUTS



MECHANICAL

Which FET to use:

You can use any suitable power n-fet transistor you wish.

It has to be in TO-263 package (known as D-PAK as well). May be used smaller transistor in TO-252 package.

We use transistors from dead mainboards. There are pretty transistors with voltage about 30-60V and continuous current 30-60A.

Firma		Author	
MLAB		MIHO	
Size A4	Project Name MLAB	Schematic Name NFET4X01A	Rev 1.00
Date:	Thursday, November 29, 2007	Sheet	2 of 2