

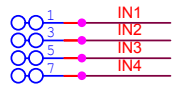
NFET4X01A

History

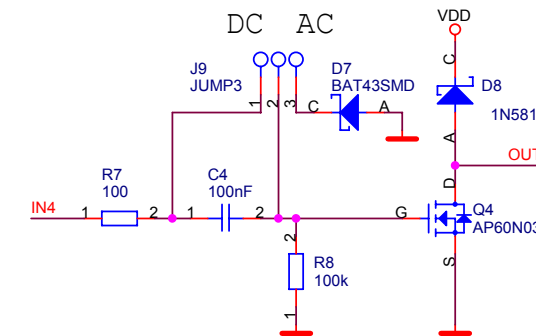
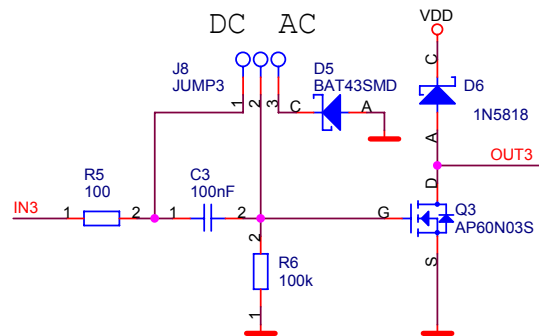
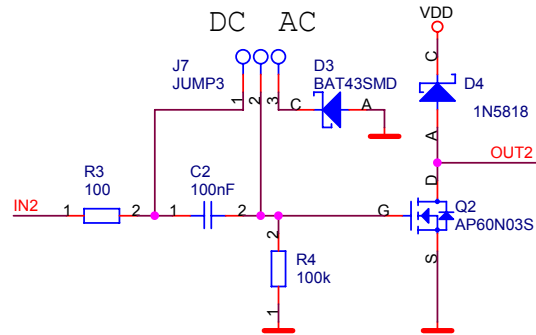
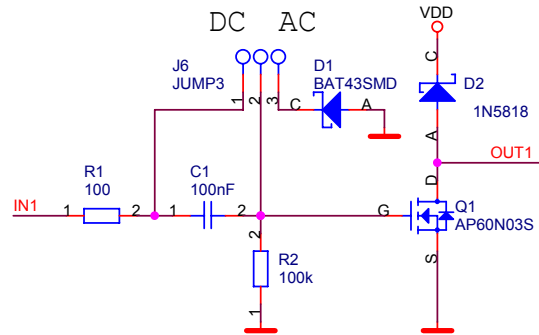
- 1.00 First Version
- 1.01 Changed ordinary D to Schottky D

Firma		MLAB		Author		MIHO	
Size	Project Name	Schematic Name		Rev			
A4	MLAB	NFET4X01A		1.01			
Date:	Sunday, December 02, 2007		Sheet	1 of 2			

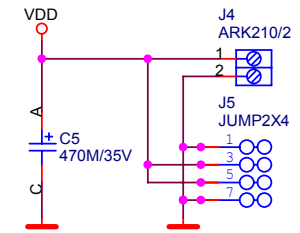
J1
JUMP2X4



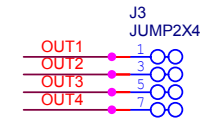
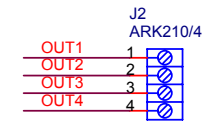
INPUTS



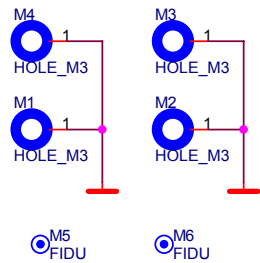
FET TRANSISTORS



VDD Power



OUTPUTS



MECHANICAL

Which FET to use:

You can use any suitable power n-fet transistor you wish.

It has to be in TO-263 package (known as D-PAK as well). May be used smaller transistor in TO-252 package.

We use transistors from dead mainboards. There are pretty transistors with voltage about 30-60V and continuous current 30-60A.

Firma		Author	
MLAB		MIHO	
Size	Project Name	Schematic Name	Rev
A4	MLAB	NFET4X01A	1.01
Date:	Sunday, December 02, 2007	Sheet	2 of 2