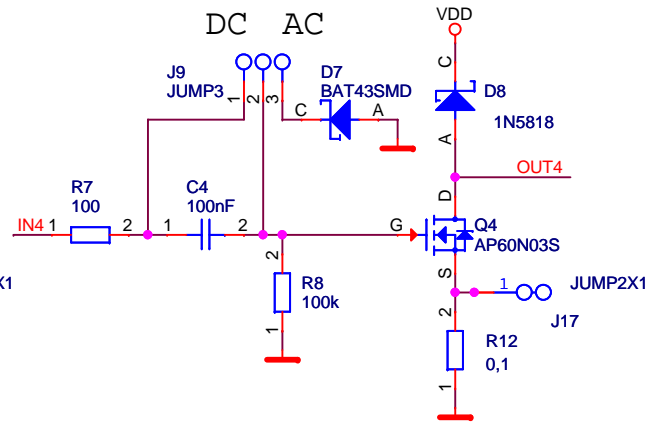
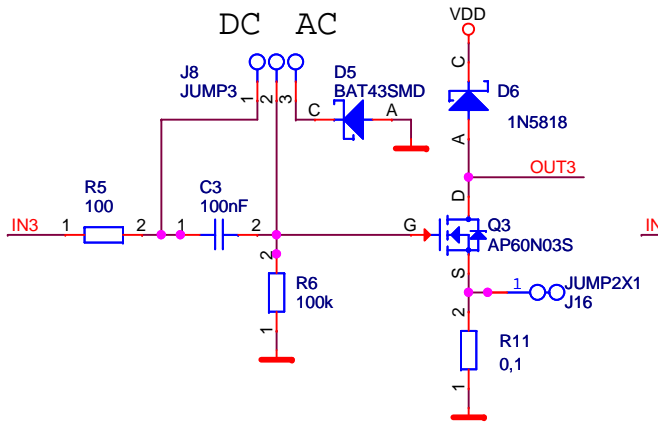
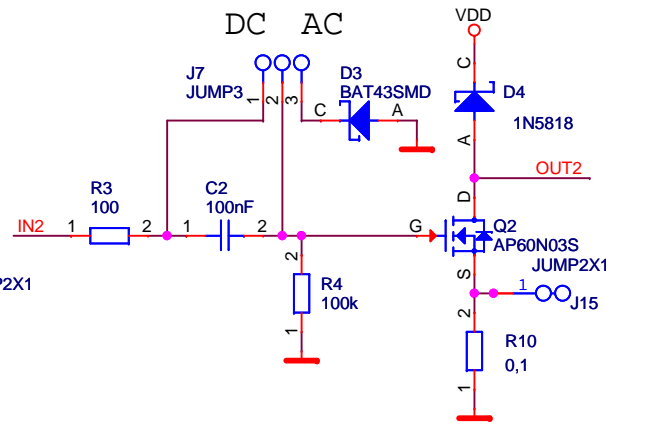
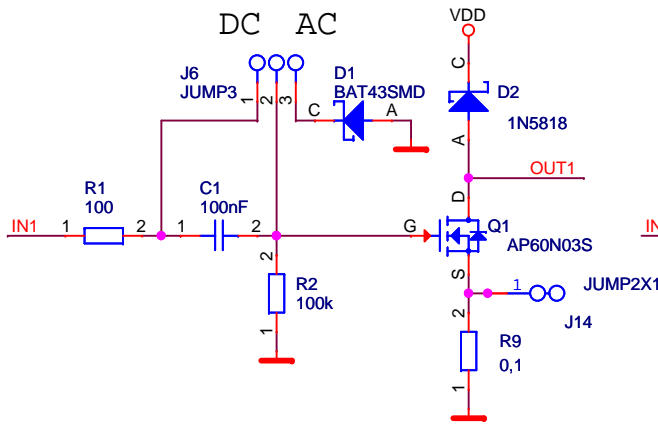
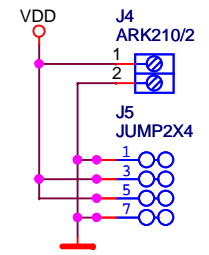


INPUTS

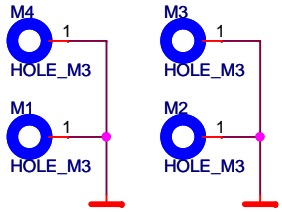
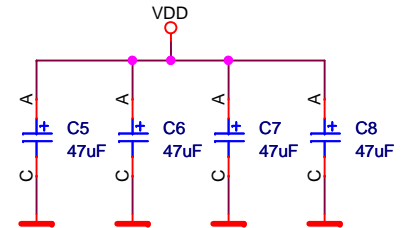
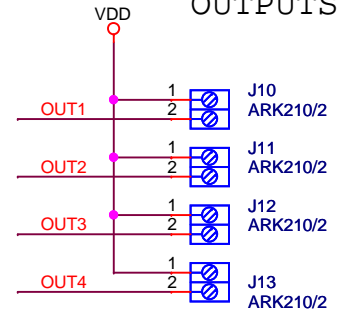


FET SWITCH TRANSISTORS

High current power



OUTPUTS



MECHANICAL

Which FET to use:

You can use any suitable power n-fet transistor you wish.

It has to be in TO-263 package (known as D-PAK as well). May be used smaller transistor in TO-252 package.

We use transistors from dead mainboards. There are pretty transistors with voltage about 30-60V and continuous current 30-60A.

Firma		Author	
MLAB		Kaklik, MIHO	
Size	Project Name	Schematic Name	Rev
A4	MLAB	NFET4X01B	1
Date:	Thursday, February 16, 2012	Sheet	2 of 2