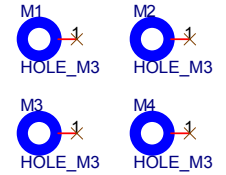
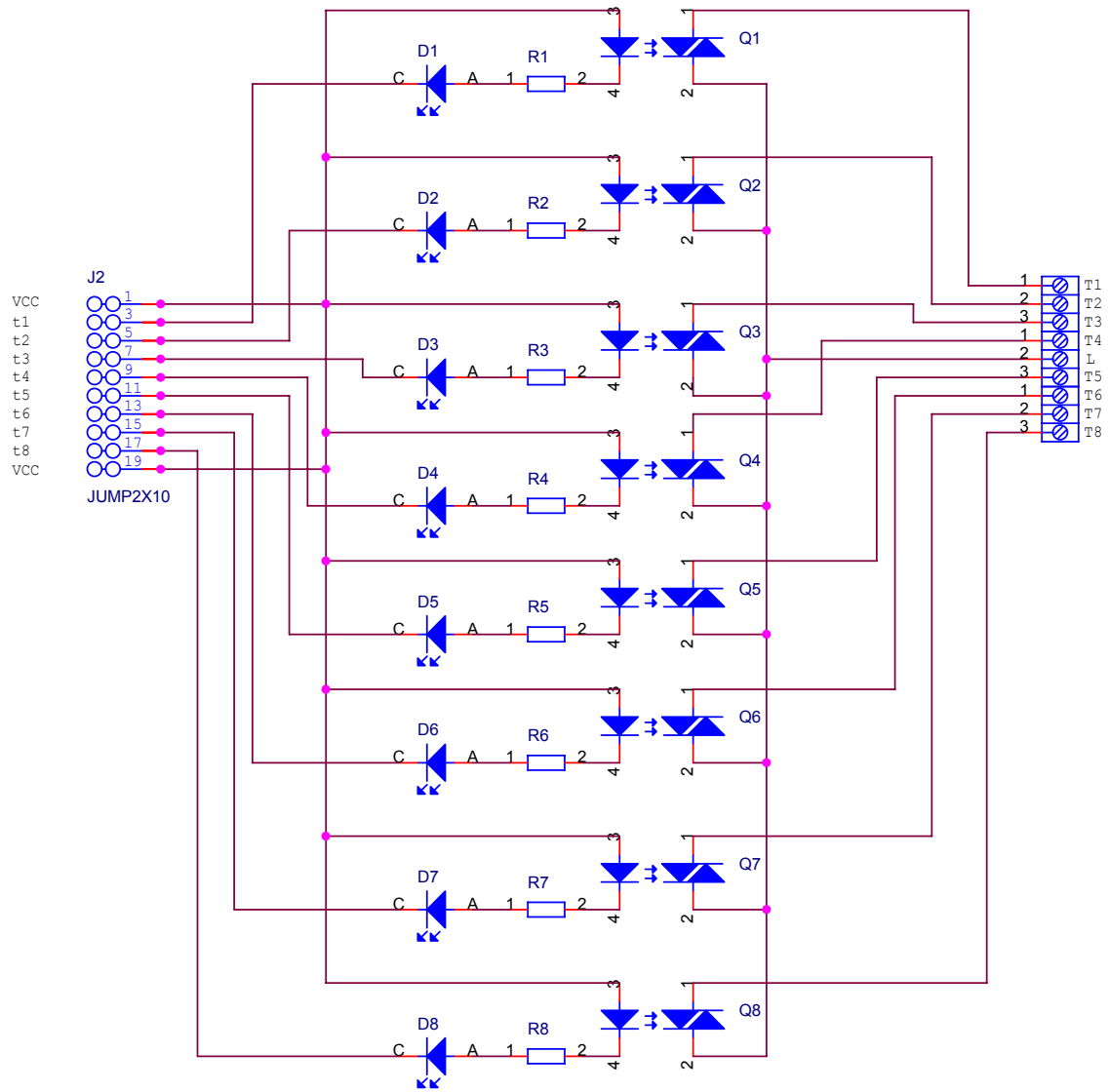
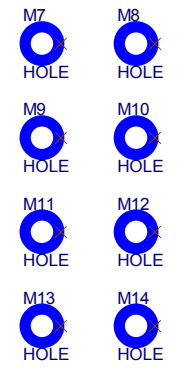


8x LED 8x R0805  
 RED 3mm 180 8x TRIAC  
 S202S02



Drills for smd LED



Firma		<b>MLAB</b>		Author MJJA	
Size A4	Project Name MLAB	Schematic Name TRIACSHARP02A		Rev 1.0	
Date: Monday, March 01, 2010		Sheet	1	of	2