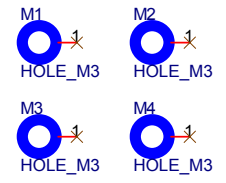
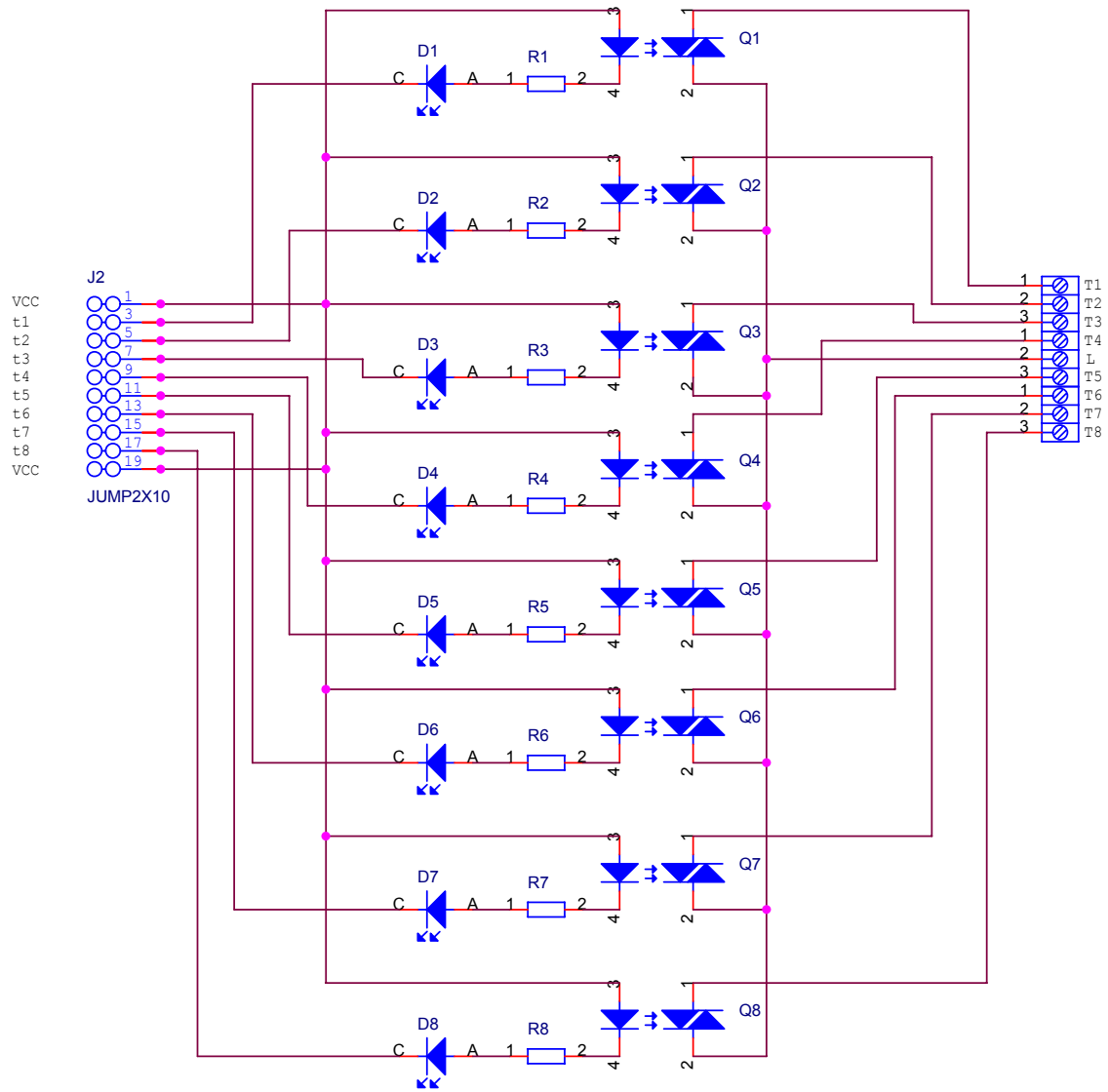


8x LED 8x R0805
 RED 3mm 180 8x TRIAC
 S202S02



Firma		MLAB		Author MJJA	
Size A4	Project Name MLAB	Schematic Name TRIACSHARP02A		Rev 1.0	
Date: Wednesday, January 13, 2010		Sheet	1	of	2