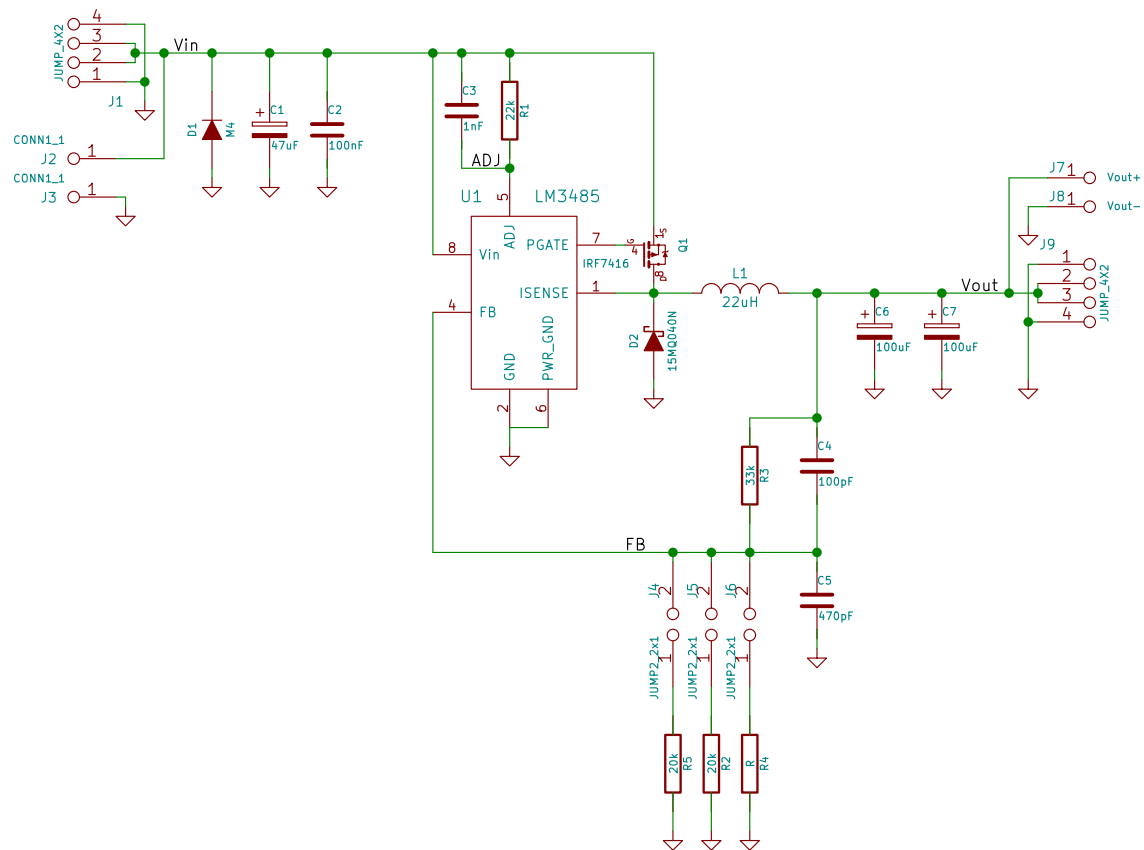


P1' 1 X P3' 1 X  
P2' 1 X P4' 1 X



Sheet: /  
File: BATPOWER04C.sch

**Title:**

Size: A4 Date:  
KiCad E.D.A. kicad (2015-01-07 BZR 5359)-product

**Rev:**  
Id: 1/1