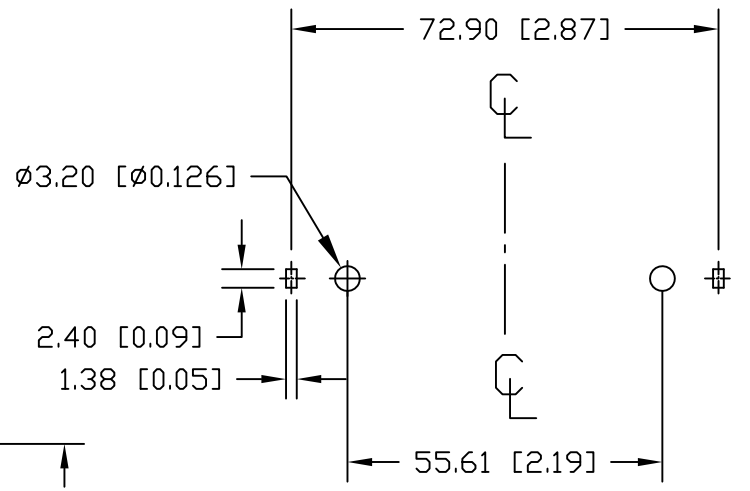
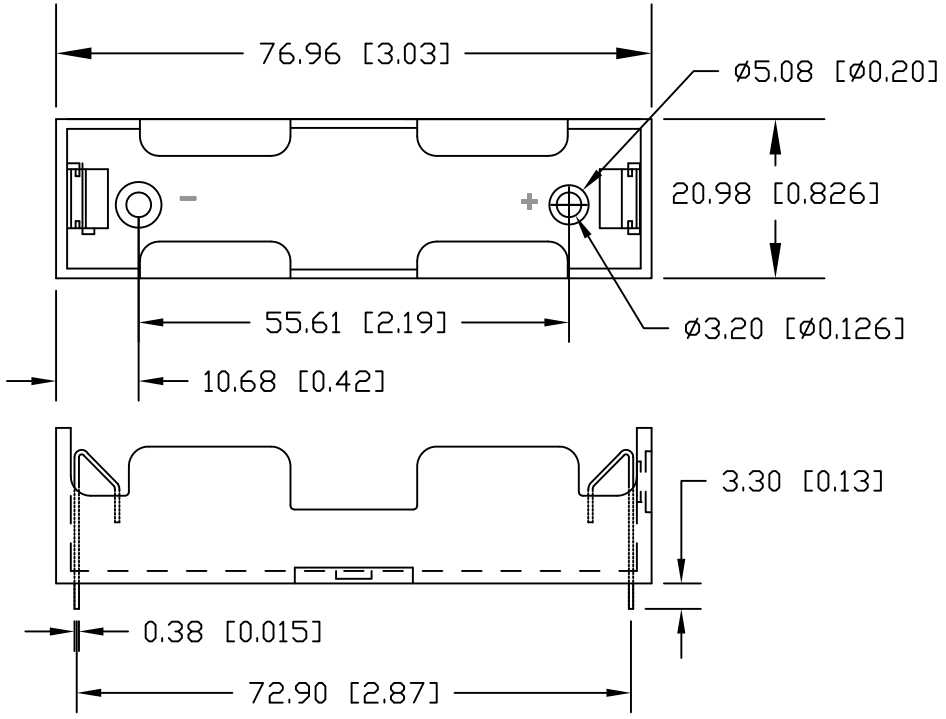
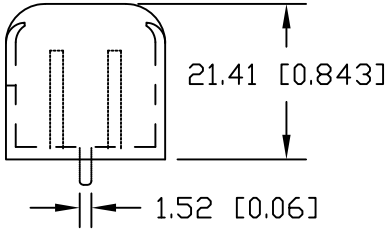



Date	SYM	REVISION RECORD	AUTH	DR.	CK.
3/06/09	A	UPDATED DRAWING	T B	B S	
8/28/09	B	UPDATED SIDE VIEW	T B	B S	



PCB LAYOUT



NOTES:
 Material: Polypropylene, UL94V-0, UL file No. E255317
 Contacts: 302 Stainless Steel Spring Temper, Nickel Plated
 Heat Deflection Temperature: 90°C
 Vibration Test: 10-50-10 Hz swept in 60 seconds
 X,Y,Z direction: 1 hour each direction
 Result: No dislodgement of the cell or damage
 No discontinuity over 10 micro-seconds
 Shock Test: Half sine wave acceleration 150G. 6 micro-seconds
 3 shock pulses each direction per axis, total of 18 pulses
 Result: No evidence of physical damage.
 ROHS COMPLIANT

Tolerance (Inches)	 Memory Protection Devices, Inc 200 Broad Hollow Road, Farmingdale, New York 11735		
±.5 (.020)			Approved By T.B.
Fractional	Title		
± .8 (.030)	ONE 18650 LI-ION CELL HOLDER		
Angular	Date	Drawing Number	
± 3°	8/28/09	BK-18650-PC2	