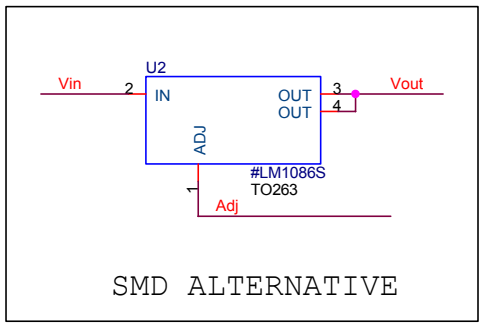
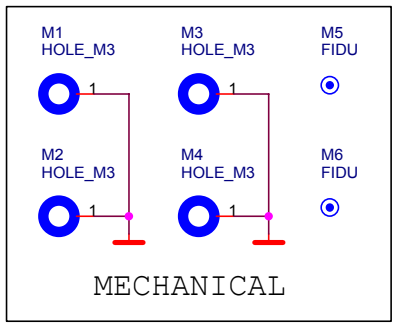
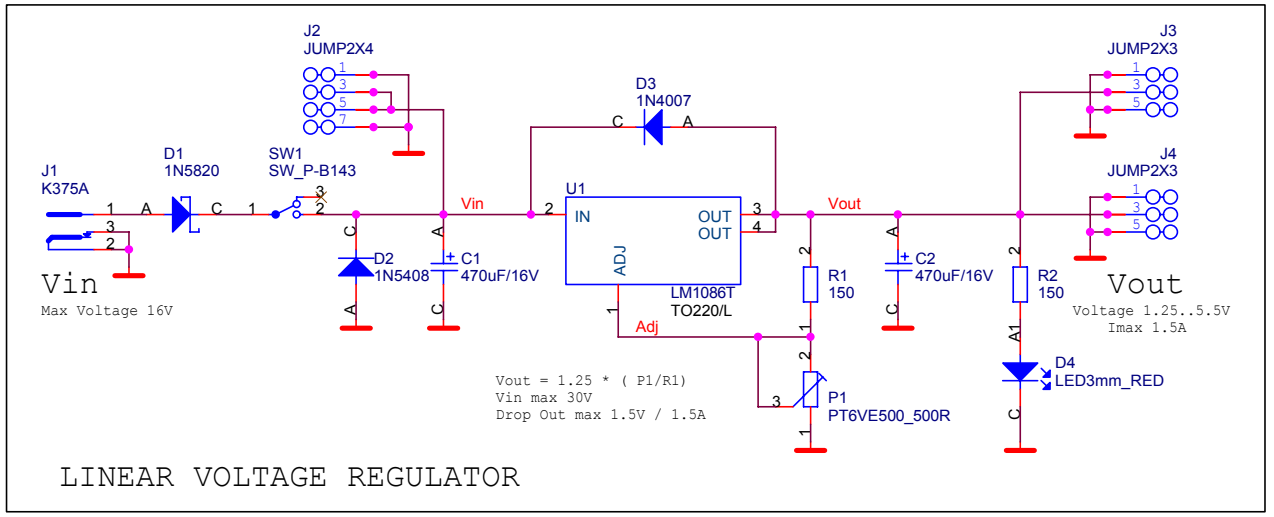


LM108601A

History

1.00 First Version

Firma		MLAB		Author		MIHO	
Size	Project Name	Schematic Name		Rev			
A4	MLAB	LM108601A		1,00			
Date: Wednesday, February 21, 2007		Sheet		1		of 2	
2						1	



Firma MLAB		Author MIHO	
Size A4	Project Name MLAB	Schematic Name LM108601A	Rev 1.00
Date: Wednesday, February 21, 2007		Sheet 2 of 2	