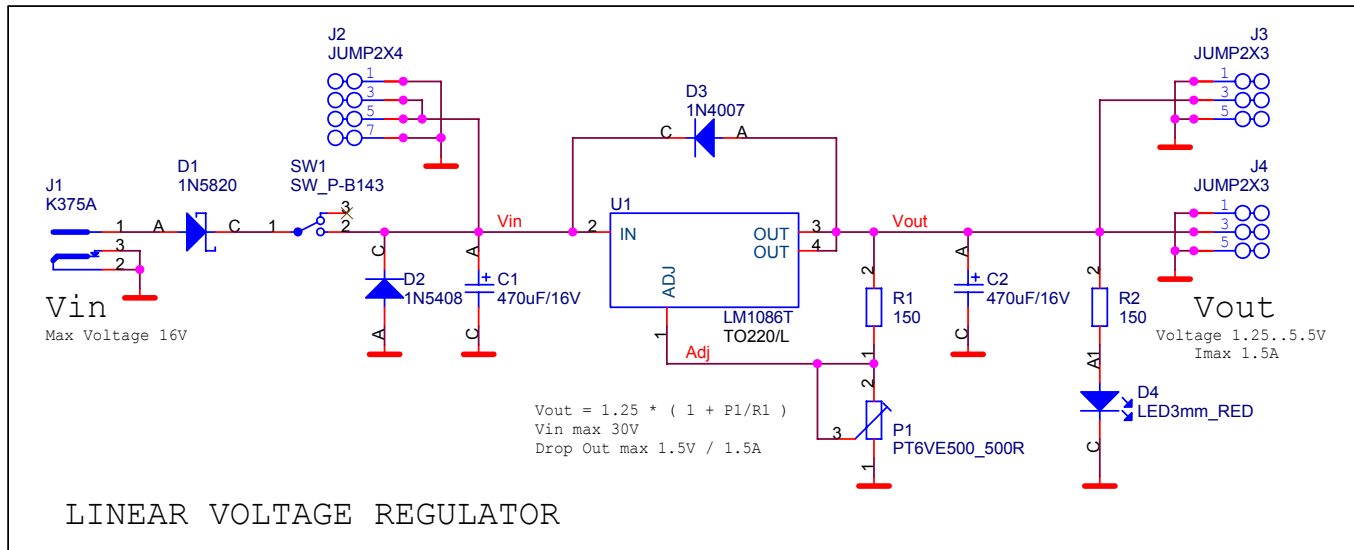


LM108601A

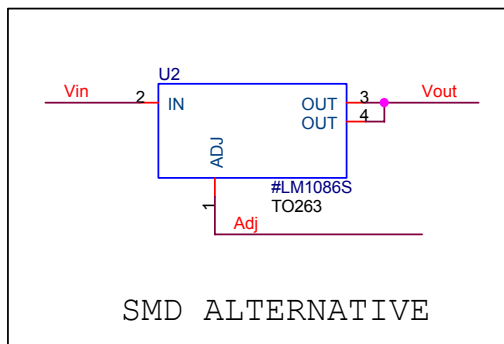
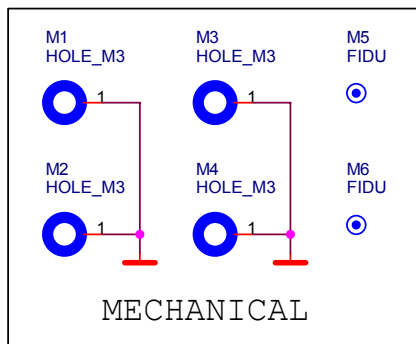
History

1.00 First Version

Firma		MLAB		Author		MIHO	
Size	Project Name	Schematic Name		Rev			
A4	MLAB	LM108601A		1,00			
Date:	Saturday, March 17, 2007		Sheet	1	of	2	



LINEAR VOLTAGE REGULATOR



Firma		Author	
MLAB		MIHO	
Size	Project Name	Schematic Name	Rev
A4	MLAB	LM108601A	1.00
Date:	Saturday, March 17, 2007	Sheet	2 of 2