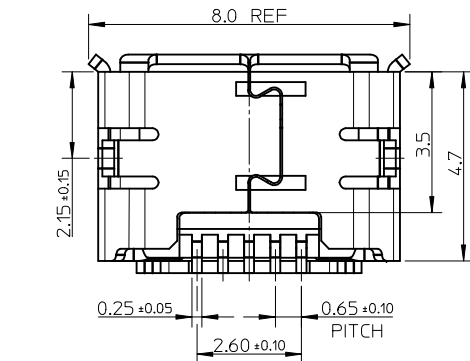


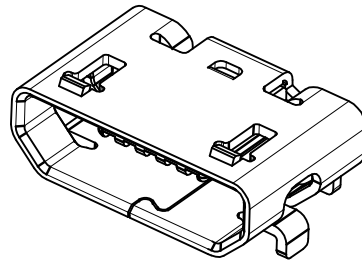
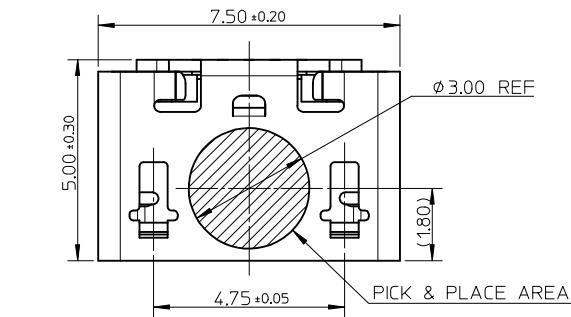
RECOMMENDED P.C.B. PATTERN LAYOUT  
GENERAL TOLERANCE: ± 0.05



NOTES:

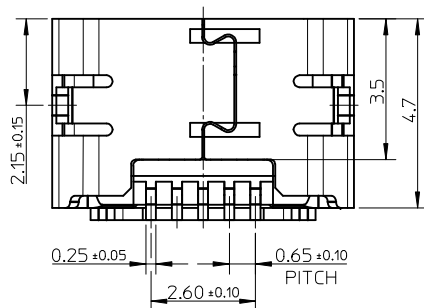
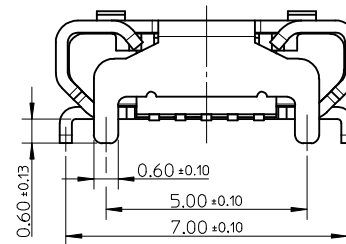
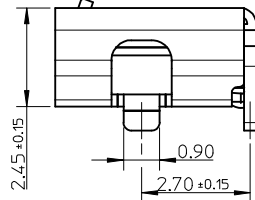
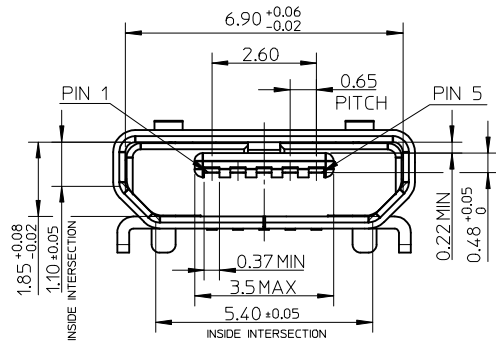
- MATERIAL:  
HOUSING: LCP, BLACK, UL94V-0;  
TERMINAL: COPPER ALLOY, THICKNESS: 0.15mm;  
SHELL: STAINLESS STEEL, THICKNESS: 0.30mm.
- PLATING:  
TERMINAL: CONTACT AREA: GOLD FLASH OVER MINIMUM 0.75MICRON Pd/Ni.  
SOLDER TAIL AREA: GOLD FLASH.  
UNDER PLATING: NICKEL 2.0 MICRON MINIMUM.  
SHELL: MATTE TIN 2.0 MICRON  
UNDER PLATING: NICKEL 1.27 MICRON MINIMUM.
- TAIL & NAIL COPLANARITY 0.08mm MAXIMUM.
- PRODUCT SPECIFICATION: PS-105017-001.
- PACKAGING SPECIFICATION: PK-105017-001.
- COMPLIANT TO RoHS DIRECTIVE 2002/95/EC AND ELV DIRECTIVE 2000/53/EC.

REVISED EC NO: SH2013-0168 DRAWN: XQZHANG 2012/12/04 CHKD: XQZHANG 2012/12/04 APPR: AYIN 2012/12/10	QUALITY SYMBOLS F <sub>5</sub> =0 F <sub>6</sub> =0 F <sub>7</sub> =0	GENERAL TOLERANCES (UNLESS SPECIFIED)		DIMENSION STYLE MM ONLY		SCALE 1:1	DESIGN UNITS METRIC	THIRD ANGLE PROJECTION		
			mm	INCH	DRAWN BY XJSONG	DATE 2008/01/23	TITLE MICRO USB BOTTOM MOUNT RECEPTACLE, B TYPE			
		4 PLACES	± ---	± ---	CHECKED BY JTIAN	DATE 2008/01/23				
		3 PLACES	± ---	± ---	APPROVED BY HWWANG	DATE 2008/01/23				
	ANGULAR ± 3 °		MATERIAL NO. 105017-0001	DOCUMENT NO. SD-105017-001		SHEET NO. 1 OF 2				
	DRAFT WHERE APPLICABLE MUST REMAIN WITHIN DIMENSIONS		SIZE A3	THIS DRAWING CONTAINS INFORMATION THAT IS PROPRIETARY TO MOLEX INCORPORATED AND SHOULD NOT BE USED WITHOUT WRITTEN PERMISSION						



NOTES:

1. MATERIAL:  
 HOUSING: LCP, BLACK, UL94V-0;  
 TERMINAL: COPPER ALLOY, THICKNESS: 0.15mm;  
 SHELL: STAINLESS STEEL, THICKNESS: 0.30mm.
2. PLATING:  
 TERMINAL: CONTACT AREA: GOLD FLASH OVER MINIMUM 0.75MICRON Pd/Ni.  
 SOLDER TAIL AREA: GOLD FLASH.  
 UNDER PLATING: NICKEL 2.0 MICRON MINIMUM.  
 SHELL: MATTE TIN 3.8 MICRON  
 UNDER PLATING: NICKEL 1.27 MICRON MINIMUM.
3. TAIL & NAIL COPLANARITY 0.08mm MAXIMUM.
4. PRODUCT SPECIFICATION: PS-105017-001.
5. PACKAGING SPECIFICATION: PK-105017-001.
6. COMPLIANT TO RoHS DIRECTIVE 2002/95/EC AND ELV DIRECTIVE 2000/53/EC.



SEE SHEET 1 EC NO: SH2013-0168 TDRW: XQZHANG 2012/12/04 CHKD: XQZHANG 2012/12/04 APPR: AYIN 2012/12/10	REV DESCRIPTION	QUALITY SYMBOLS	GENERAL TOLERANCES (UNLESS SPECIFIED)	DIMENSION STYLE	SCALE	DESIGN UNITS	THIRD ANGLE PROJECTION
		$\nabla_{\sqrt{3}} = 0$ $\nabla_{\sqrt{2}} = 0$ $\nabla_{\sqrt{1}} = 0$	mm      INCH 4 PLACES ± --- ± --- 3 PLACES ± --- ± --- 2 PLACES ± 0.25 ± --- 1 PLACE ± 0.25 ± --- 0 PLACE ± --- ± ---	MM ONLY	1:1	METRIC	
		ANGULAR ± 3 ° DRAFT WHERE APPLICABLE MUST REMAIN WITHIN DIMENSIONS	DRAWN BY: XJSONG      DATE: 2008/01/23 CHECKED BY:      DATE: APPROVED BY:      DATE: HWWANG      2008/01/23	TITLE MICRO USB BOTTOM MOUNT RECEPTACLE, B TYPE FLANGELESS TYPE			
		MATERIAL NO. 105017-1001 DOCUMENT NO. SD-105017-001 SHEET NO. 2 OF 2	THIS DRAWING CONTAINS INFORMATION THAT IS PROPRIETARY TO MOLEX INCORPORATED AND SHOULD NOT BE USED WITHOUT WRITTEN PERMISSION				