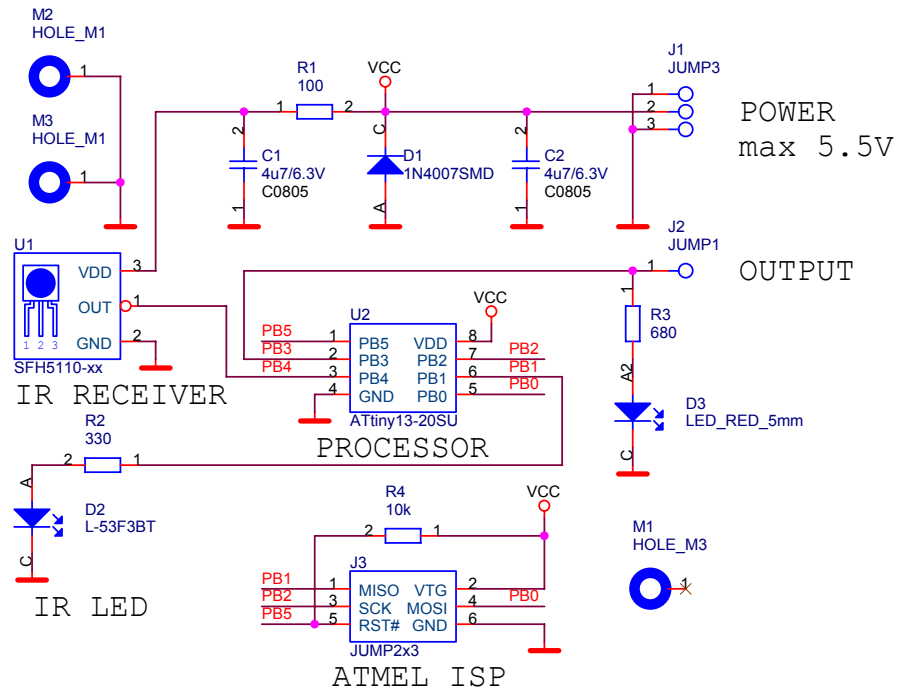


IRFEE01A

1.00 New design

Firma		MLAB		Author	
				MIHO	
Size	Project Name	Schematic Name	Rev		
A4	MLAB	IRFEE01A	1.00		
Date:	Saturday, November 07, 2009	Sheet	1	of	2



OSRAM	SFH5110-30	30 kHz
	SFH5110-33	33 kHz
	SFH5110-36	36 kHz
	SFH5110-38	38 kHz
	SFH5110-40	40 kHz

VISHAY	TSOP348xx	Do not use here, receivers have hysteresis and do not work well in this application
--------	-----------	---

Firma		Author	
MLAB		MIHO	
Size	Project Name	Schematic Name	Rev
A4	MLAB	IRFEE01A	1.00
Date:	Saturday, November 07, 2009	Sheet	2 of 2
2		1	