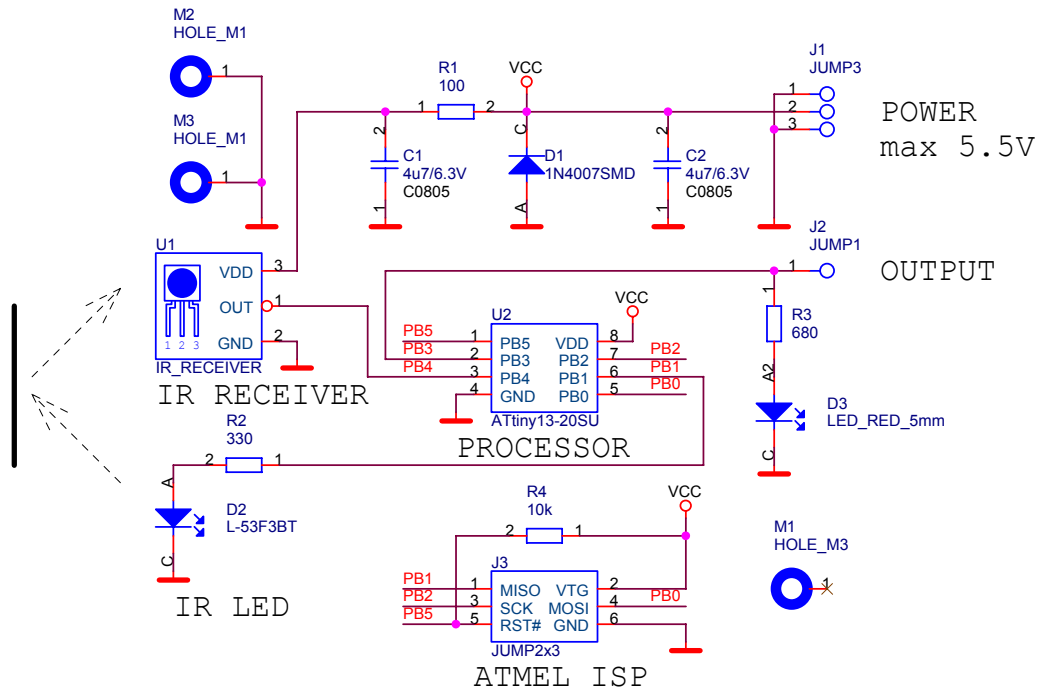


IRFEE01A

1.00 New design

Firma		Author	
MLAB		MIHO	
Size	Project Name	Schematic Name	Rev
A4	MLAB	IRFEE01A	1.00
Date:	Friday, October 30, 2009	Sheet	1 of 2
2			1



Firma		Author	
MLAB		MIHO	
Size	Project Name	Schematic Name	Rev
A4	MLAB	IRFEE01A	1.00
Date:	Friday, October 30, 2009	Sheet	2 of 2
2		1	