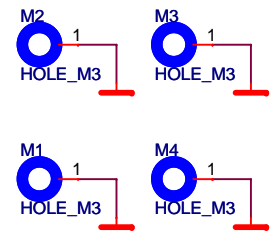
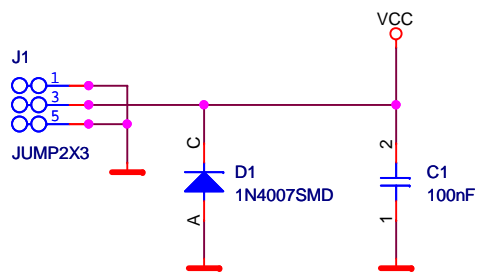
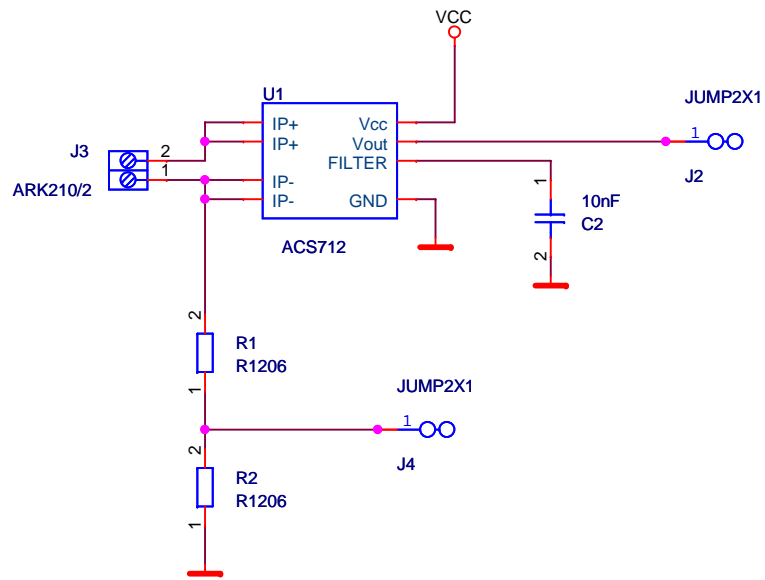


D

C

B

A



Firma		Author	
MLAB		kaklik	
Size	Project Name	Schematic Name	Rev
A4	IUC01	Sensors	A
Date:	Tuesday, November 29, 2011	Sheet	1 of 1