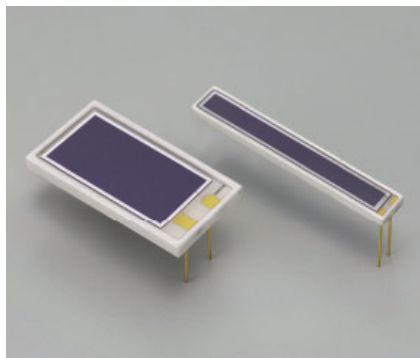


Si PIN photodiode

S2744/S3588-08, -09



Large active area Si PIN photodiodes

Features

- ➔ Sensitivity matching with BGO and CsI (TI) scintillators
- ➔ High quantum efficiency (Unsealed type): QE=85 % ($\lambda=540$ nm)
- ➔ Low capacitance
- ➔ High-speed response
- ➔ High stability
- ➔ Good energy resolution

Applications

- ➔ Scintillation detectors
- ➔ Hodoscopes
- ➔ TOF counters

Structure / Absolute maximum ratings

Type No.	Window material	Active area (mm)	Depletion layer thickness (mm)	Absolute maximum ratings			
				Reverse voltage V_R max	Power dissipation P (mW)	Operating temperature T_{opr} (°C)	Storage temperature T_{stg} (°C)
S2744-08	Epoxy resin	10 × 20	0.3	100	100	-20 to +60	-20 to +80
S2744-09	Unsealed						
S3588-08	Epoxy resin	3 × 30					
S3588-09	Unsealed						

Note: Absolute maximum ratings are the values that must not be exceeded at any time. If even one of the absolute maximum ratings is exceeded even for a moment, the product quality may be impaired. Always be sure to use the product within the absolute maximum ratings.

Electrical and optical characteristics (Typ. $T_a=25$ °C, unless otherwise noted)

Type No.	Spectral response range λ (nm)	Peak sensitivity wavelength λ_p (nm)	Photo sensitivity S				Short circuit current I_{sc} 100 lx (μ A)	Dark current I_D $V_R=70$ V		Temp. coefficient of I_D T_{CID} (times/°C)	Cut-off Frequency f_c $V_R=70$ V (MHz)	Terminal capacitance C_t $f=1$ MHz $V_R=70$ V (pF)	NEP $V_R=70$ V (W/Hz ^{1/2})
			$\lambda=\lambda_p$ (A/W)	LSO 420 nm (A/W)	BGO 480 nm (A/W)	CsI(TI) 540 nm (A/W)		Typ. (nA)	Max. (nA)				
S2744-08	340 to 1100	960	0.66	0.20	0.30	0.36	200	3	10	1.12	25	85	4.7 × 10 ⁻¹⁴
S2744-09				0.22	0.33	0.41	180						
S3588-08				0.20	0.30	0.36	100						
S3588-09				0.22	0.33	0.41	80						

Spectral response

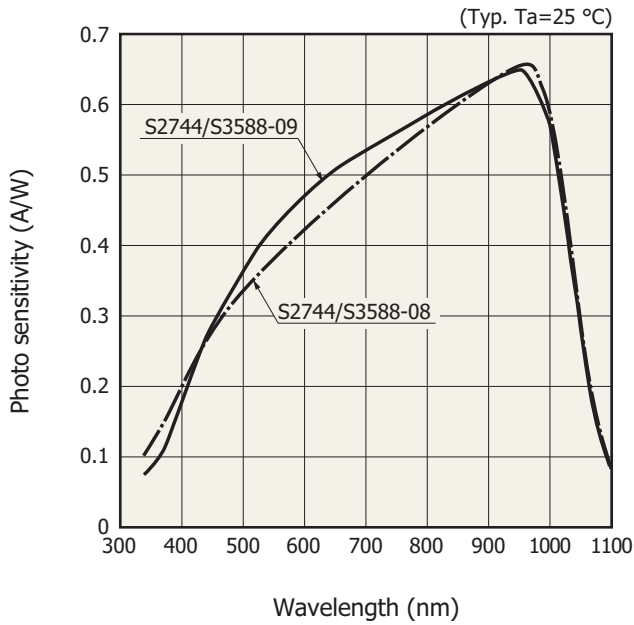
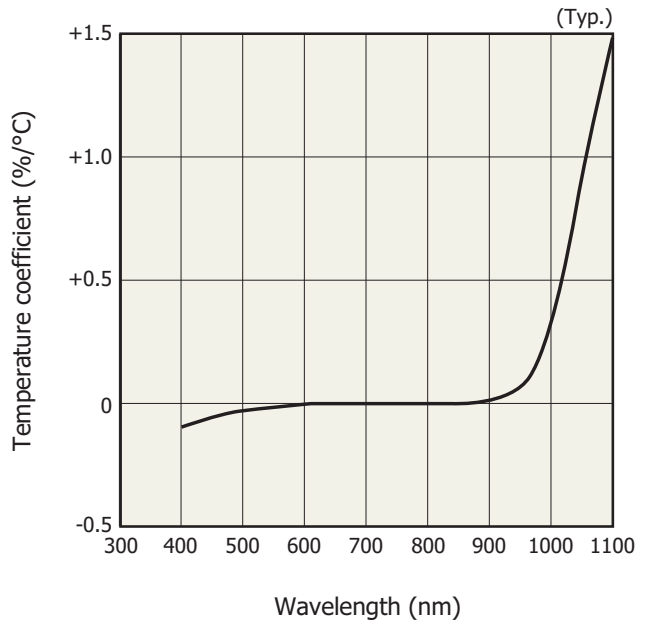
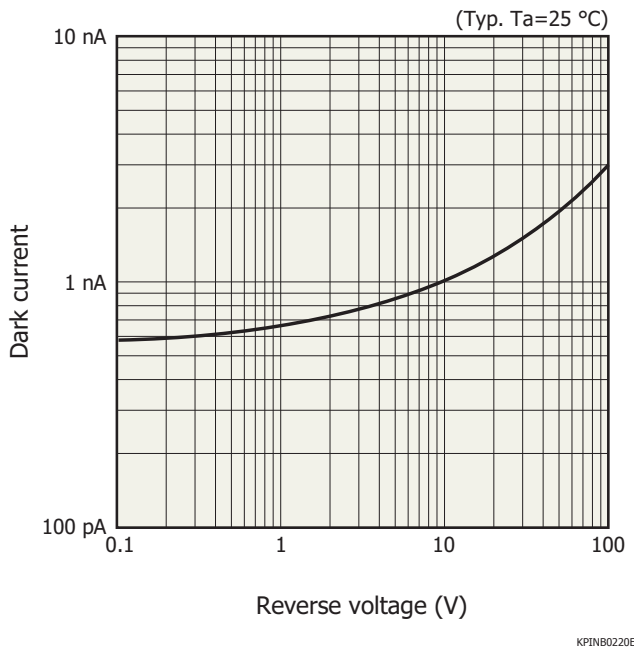


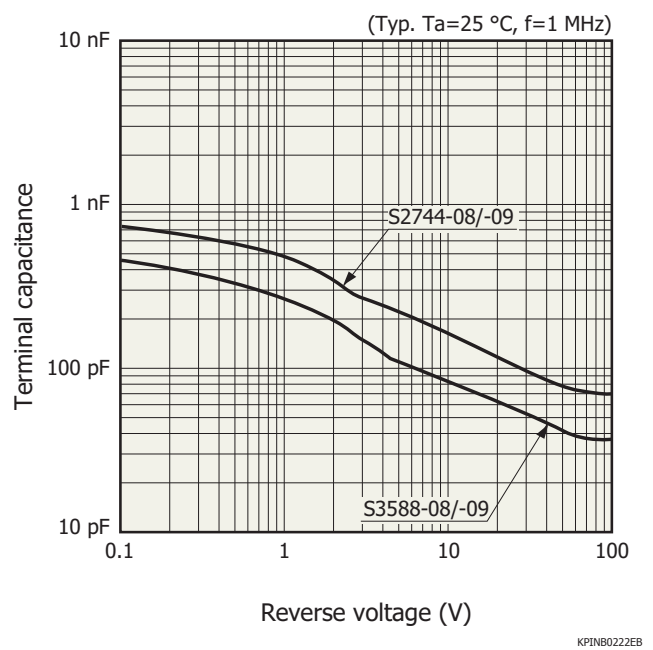
Photo sensitivity temperature characteristic



Dark current vs. reverse voltage

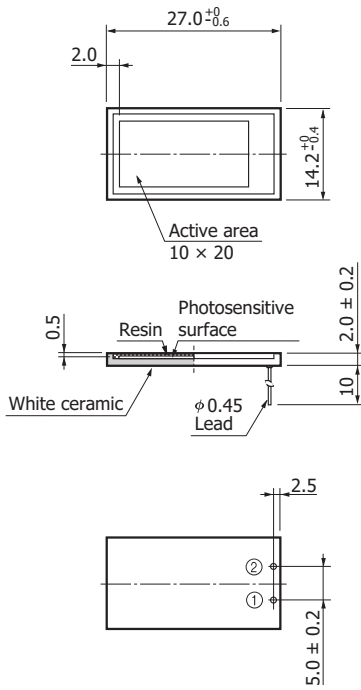


Terminal capacitance vs. reverse voltage

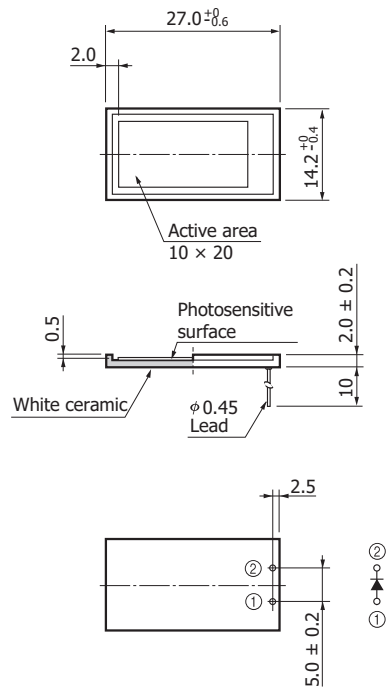


Dimensional outline (unit: mm)

S2744-08



S2744-09

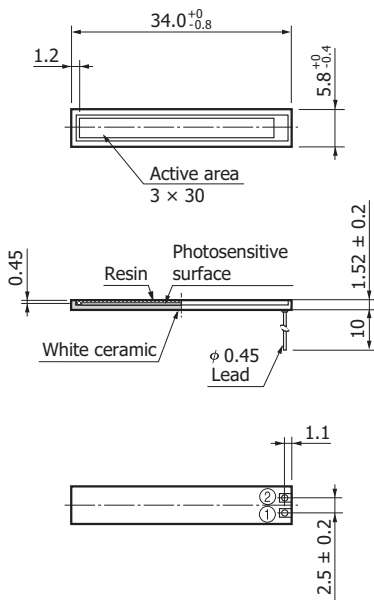


The potting resin may extend a maximum of 0.1 mm beyond the upper surface of the package.

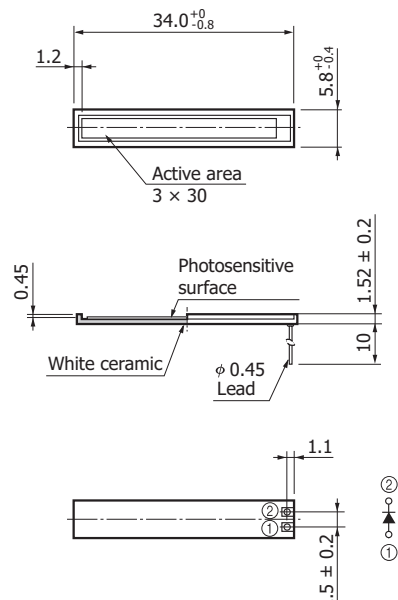
KPINA0039EC

KPINA0108EA

S3588-08



S3588-09



The potting resin may extend a maximum of 0.1 mm beyond the upper surface of the package.

KPINA0042EC

KPINA0109EA

Information described in this material is current as of October, 2011.

Product specifications are subject to change without prior notice due to improvements or other reasons. Before assembly into final products, please contact us for the delivery specification sheet to check the latest information.

Type numbers of products listed in the delivery specification sheets or supplied as samples may have a suffix "(X)" which means preliminary specifications or a suffix "(Z)" which means developmental specifications.

The product warranty is valid for one year after delivery and is limited to product repair or replacement for defects discovered and reported to us within that one year period. However, even if within the warranty period we accept absolutely no liability for any loss caused by natural disasters or improper product use.

Copying or reprinting the contents described in this material in whole or in part is prohibited without our prior permission.

HAMAMATSUwww.hamamatsu.com

HAMAMATSU PHOTONICS K.K., Solid State Division

1126-1 Ichino-cho, Higashi-ku, Hamamatsu City, 435-8558 Japan, Telephone: (81) 53-434-3311, Fax: (81) 53-434-5184

U.S.A.: Hamamatsu Corporation: 360 Foothill Road, P.O.Box 6910, Bridgewater, N.J. 08807-0910, U.S.A., Telephone: (1) 908-231-0960, Fax: (1) 908-231-1218

Germany: Hamamatsu Photonics Deutschland GmbH: Arzbergerstr. 10, D-82211 Herrsching am Ammersee, Germany, Telephone: (49) 8152-375-0, Fax: (49) 8152-265-8

France: Hamamatsu Photonics France S.A.R.L.: 19, Rue du Saule Trapu, Parc du Moulin de Massy, 91882 Massy Cedex, France, Telephone: 33-(1) 69 53 71 00, Fax: 33-(1) 69 53 71 10

United Kingdom: Hamamatsu Photonics UK Limited: 2 Howard Court, 10 Tewin Road, Welwyn Garden City, Hertfordshire AL7 1BW, United Kingdom, Telephone: (44) 1707-294888, Fax: (44) 1707-325777

North Europe: Hamamatsu Photonics Norden AB: Smidesvägen 12, SE-171 41 Solna, Sweden, Telephone: (46) 8-509-031-00, Fax: (46) 8-509-031-01

Italy: Hamamatsu Photonics Italia S.R.L.: Strada della Moia, 1 int. 6, 20020 Arese, (Milano), Italy, Telephone: (39) 02-935-81-733, Fax: (39) 02-935-81-741