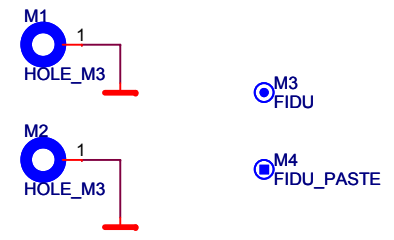
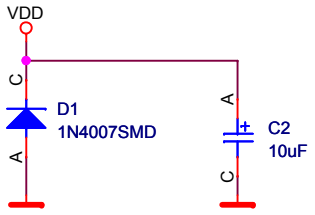
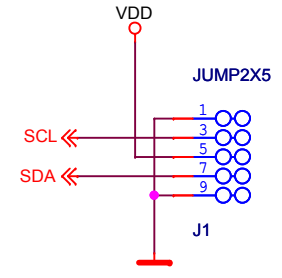
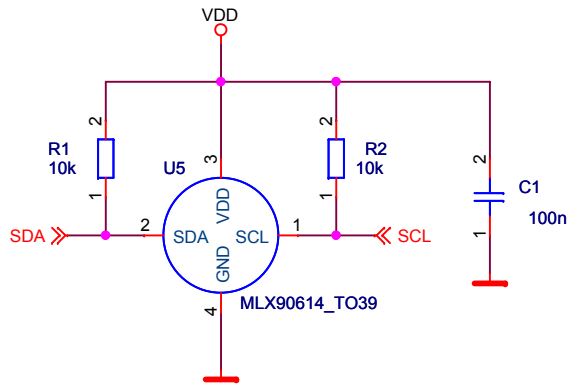


D

C

B

A



Firma		Author	
MLAB		Kaklik	
Size	Project Name	Schematic Name	Rev
A4	Sensors	THERMOPHILE01	A
Date:	Monday, April 06, 2015	Sheet	1 of 1