

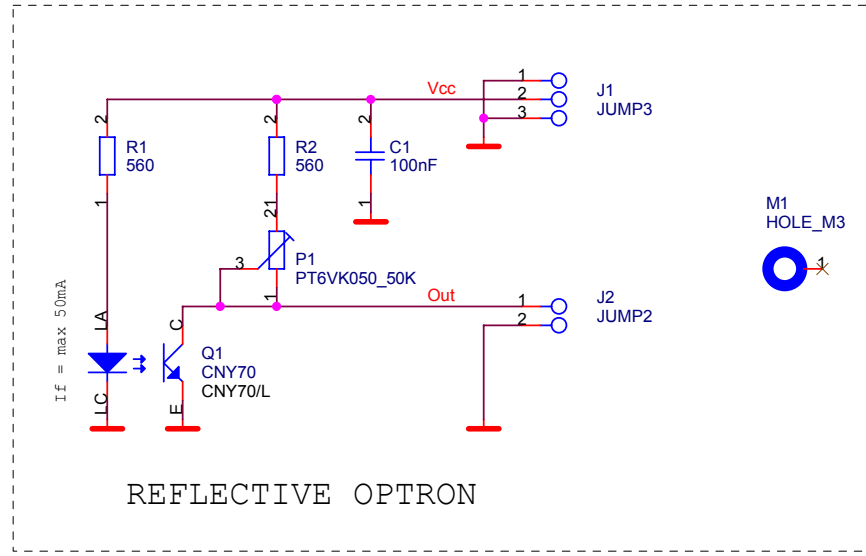
R1S01A

Reflective One Chanell Simple Opto Sensor with CNY70

History

1.00 First Version

Firma		MLAB		Author		MIHO	
Size	Project Name	Schematic Name		Rev			
A4	MLAB	R1S01A		1.00			
Date:	Sunday, March 18, 2007		Sheet	1	of	2	



Firma		MLAB		Author		MIHO	
Size	Project Name	Schematic Name		Rev			
A4	MLAB	R1S01A		1.00			
Date:	Sunday, March 18, 2007	Sheet	2	of	2		