

# USB232R01A

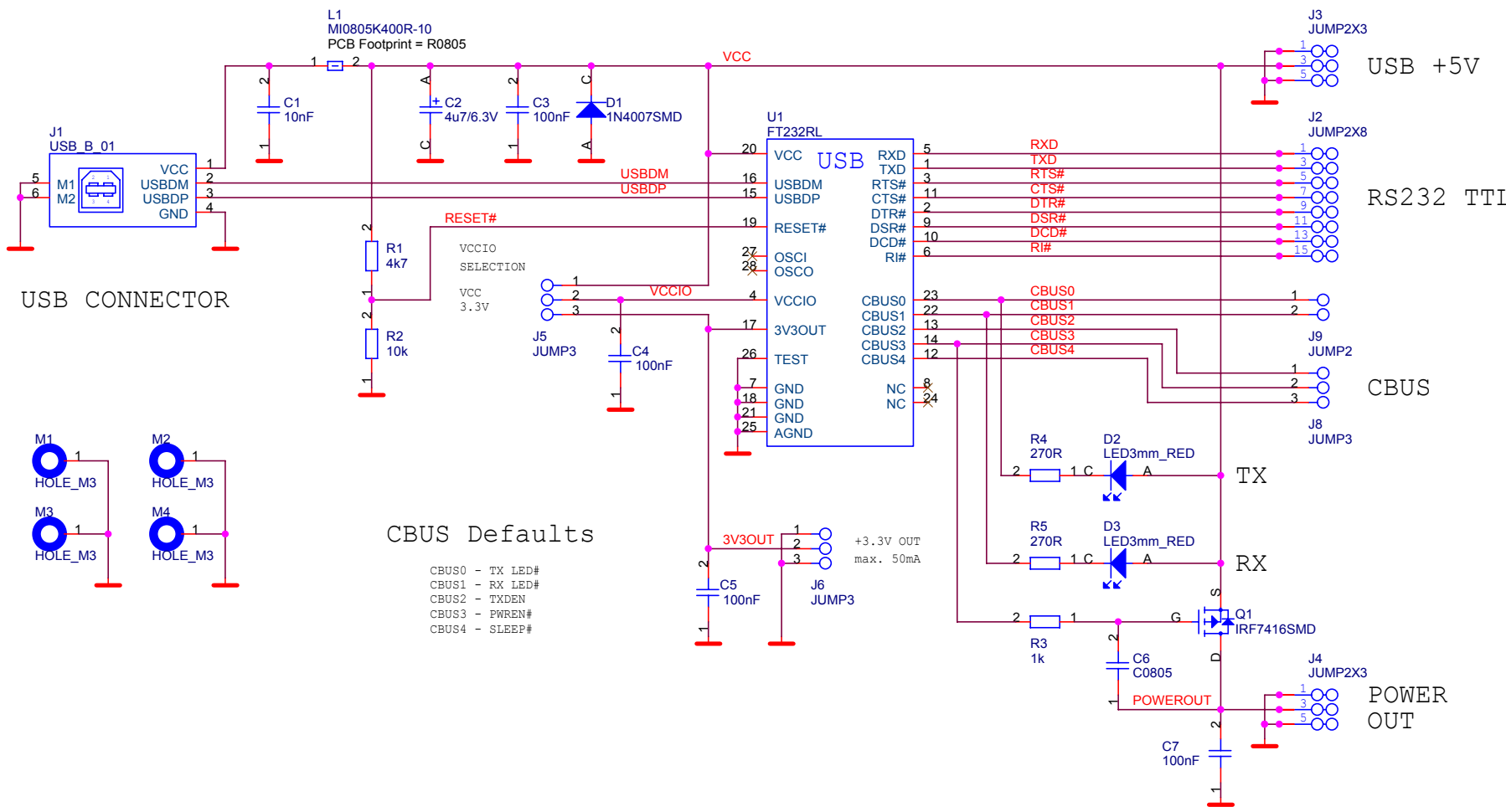
USB - RS232 Convertor  
Uses FTDI FT232R Chip

## HISTORY

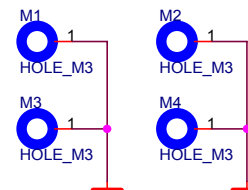
1.00 New Module

1.01 Schematic Corrections

|       |                            |                |       |        |    |      |  |
|-------|----------------------------|----------------|-------|--------|----|------|--|
| Firma |                            | <b>MLAB</b>    |       | Author |    | MIHO |  |
| Size  | Project Name               | Schematic Name |       | Rev    |    |      |  |
| A4    | MLAB                       | USB232R01A     |       | 1.01   |    |      |  |
| Date: | Saturday, January 27, 2007 |                | Sheet | 1      | of | 1    |  |
|       | 2                          |                |       | 1      |    |      |  |



USB CONNECTOR



CBUS Defaults

- CBUS0 - TX LED#
- CBUS1 - RX LED#
- CBUS2 - TXDEN
- CBUS3 - PWREN#
- CBUS4 - SLEEP#

+3.3V OUT  
max. 50mA

|             |                            |                |        |
|-------------|----------------------------|----------------|--------|
| Firma       |                            | Author         |        |
| <b>MLAB</b> |                            | MIHO           |        |
| Size        | Project Name               | Schematic Name | Rev    |
| A4          | MLAB                       | USB232R01A     | 1.01   |
| Date:       | Saturday, January 27, 2007 | Sheet          | 1 of 1 |
| 2           |                            | 1              |        |