

FMC_connector

FMC.sch

SATA_connectors

SATA.sch

miniSAS_connectors

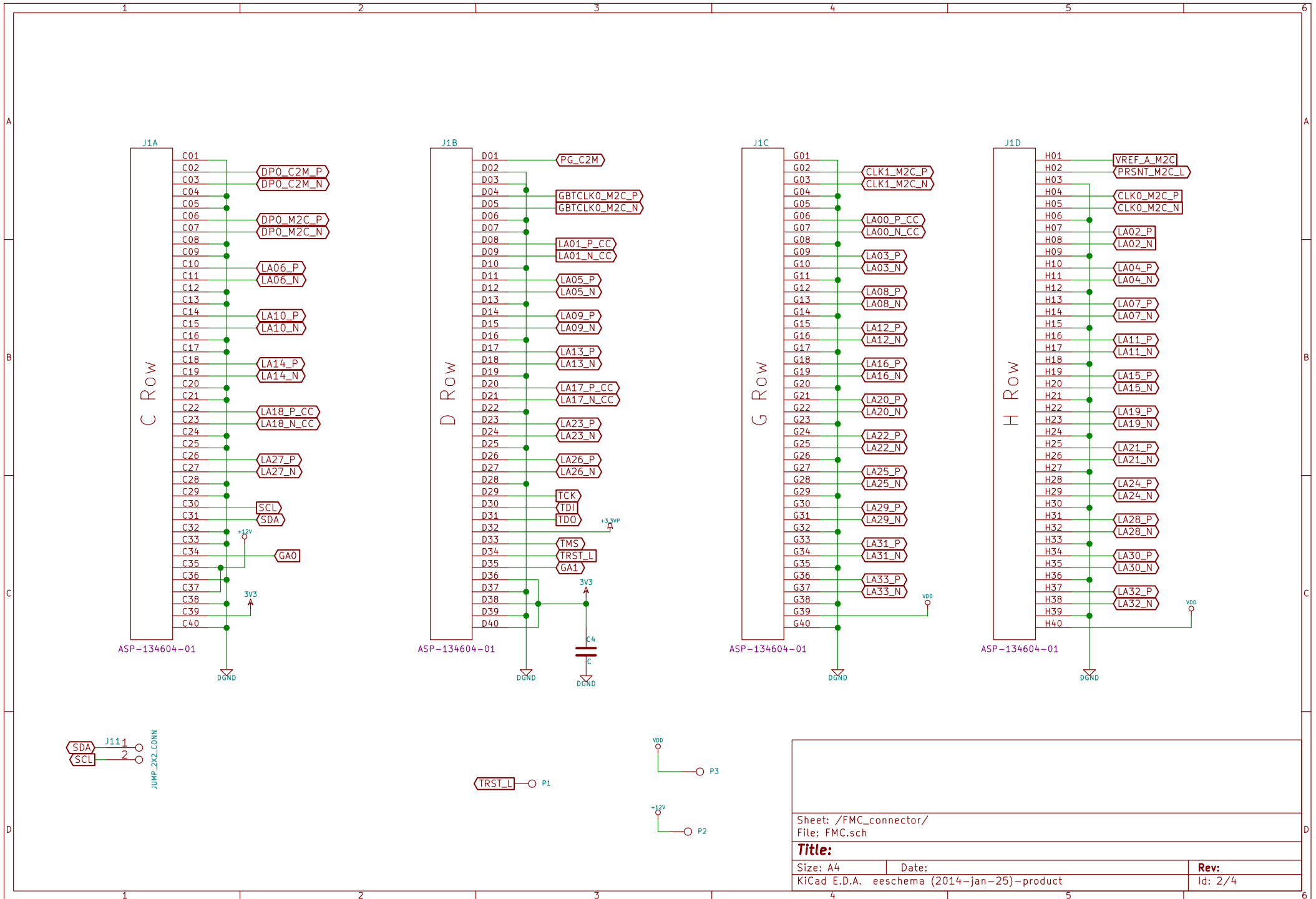
miniSAS.sch

Sheet: /
File: FMC2DIFF.sch

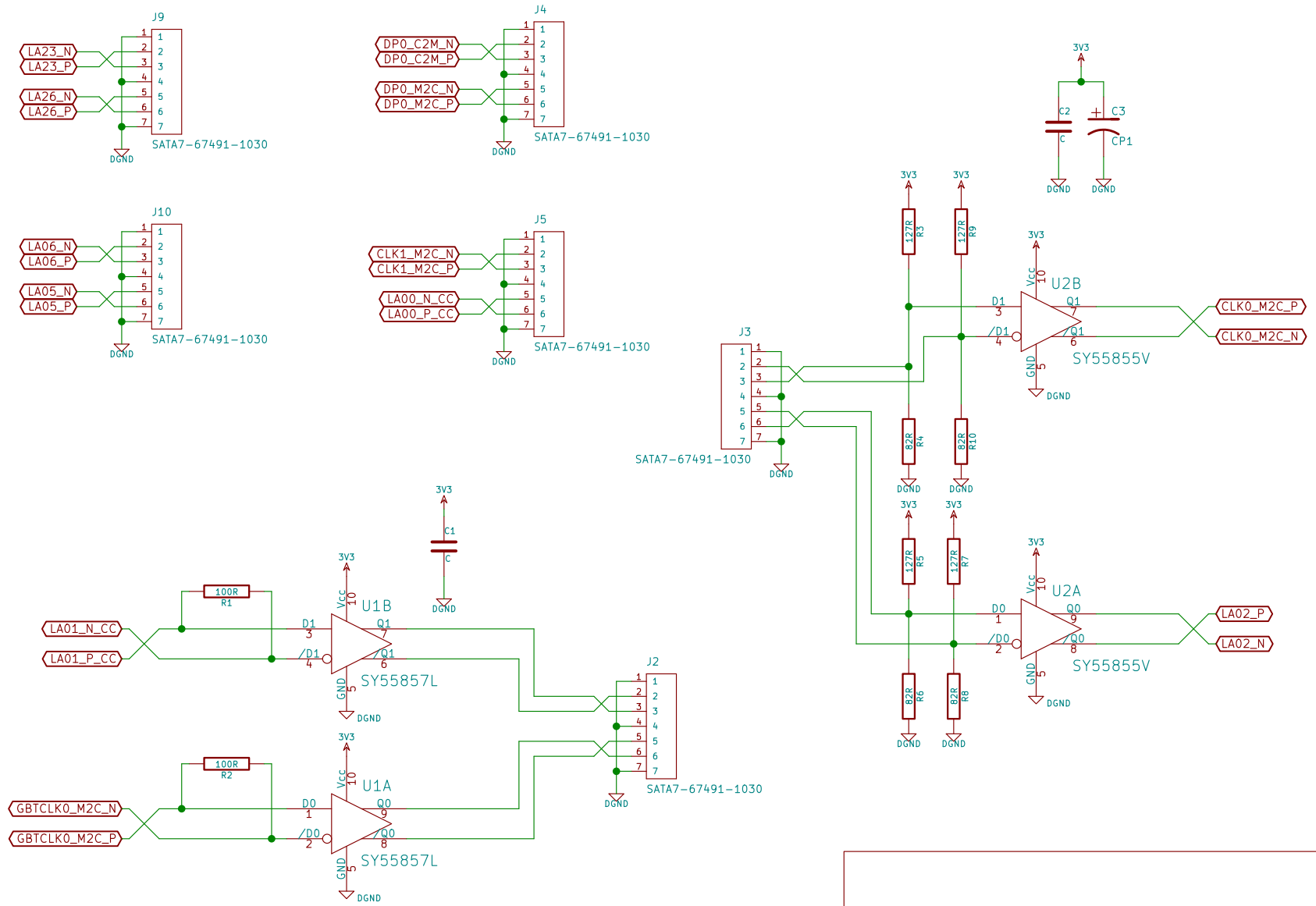
Title:

Size: A4 Date:
KiCad E.D.A. eeschema (2014-jan-25)-product

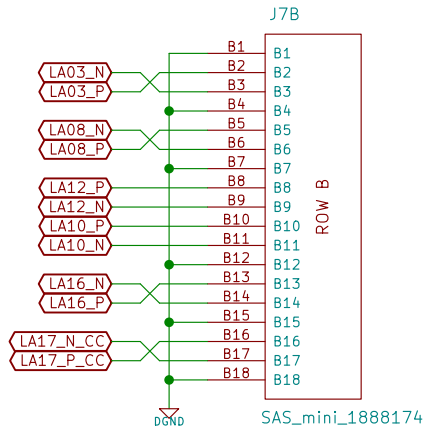
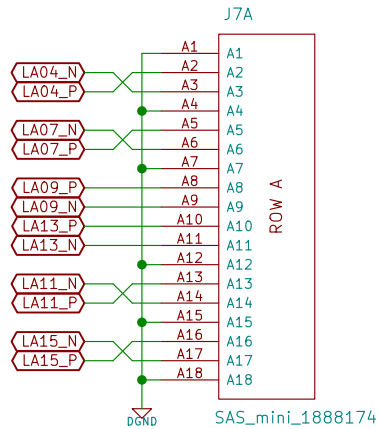
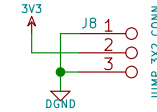
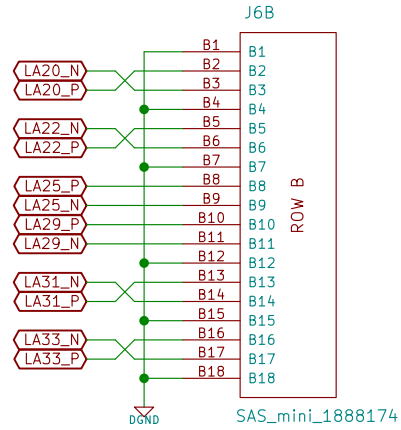
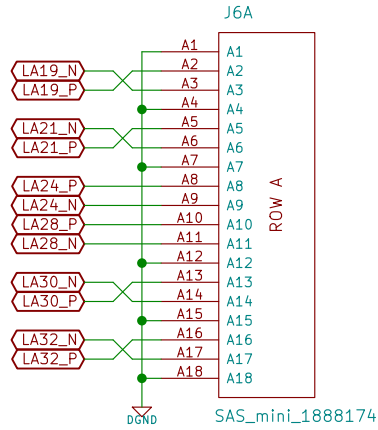
Rev:
Id: 1/4



Sheet: /FMC_connector/	
File: FMC.sch	
Title:	
Size: A4	Date:
KiCad E.D.A. eschema (2014-jan-25)-product	
Rev: Id: 2/4	



Sheet: /SATA_connectors/		File: SATA.sch	
Title:		Rev:	
Size: A4	Date:	KiCad E.D.A. eeschema (2014-jan-25)-product	
Id: 3/4			



Sheet: /miniSAS_connectors/
File: miniSAS.sch

Title:

Size: A4

Date:

KiCad E.D.A. eeschema (2014-jan-25)-product

Rev:

Id: 4/4