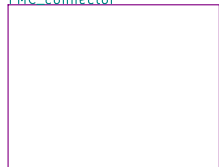
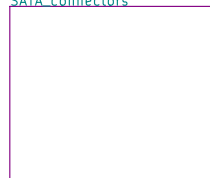


FMC\_connector



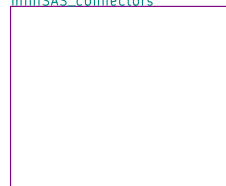
FMC.sch

SATA\_connectors

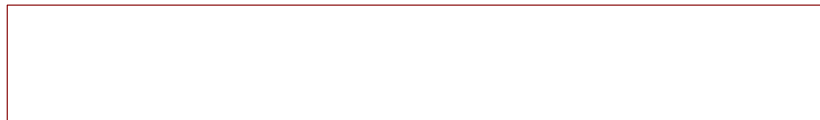


SATA.sch

miniSAS\_connectors



miniSAS.sch

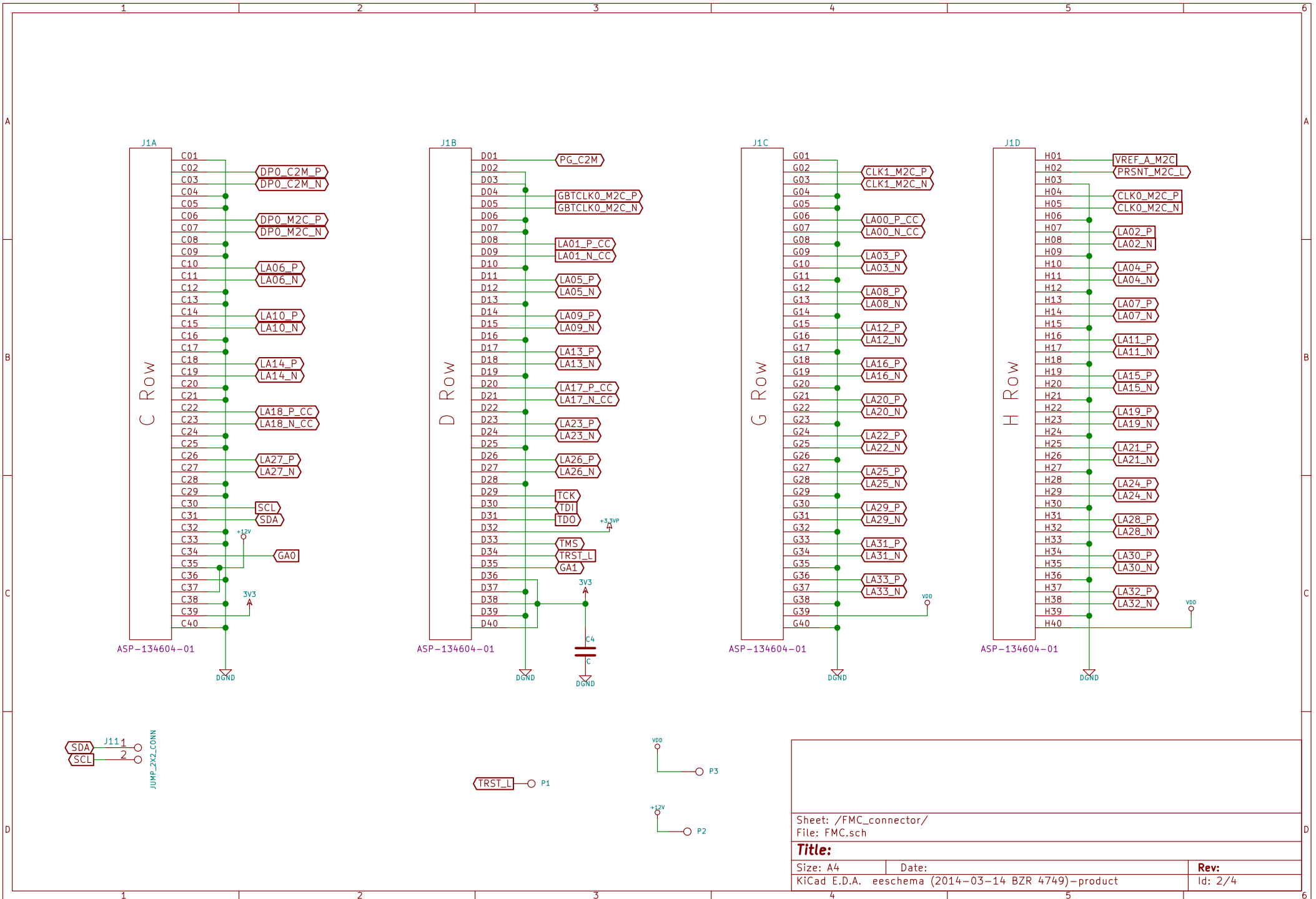


Sheet: /  
File: FMC2DIFF.sch

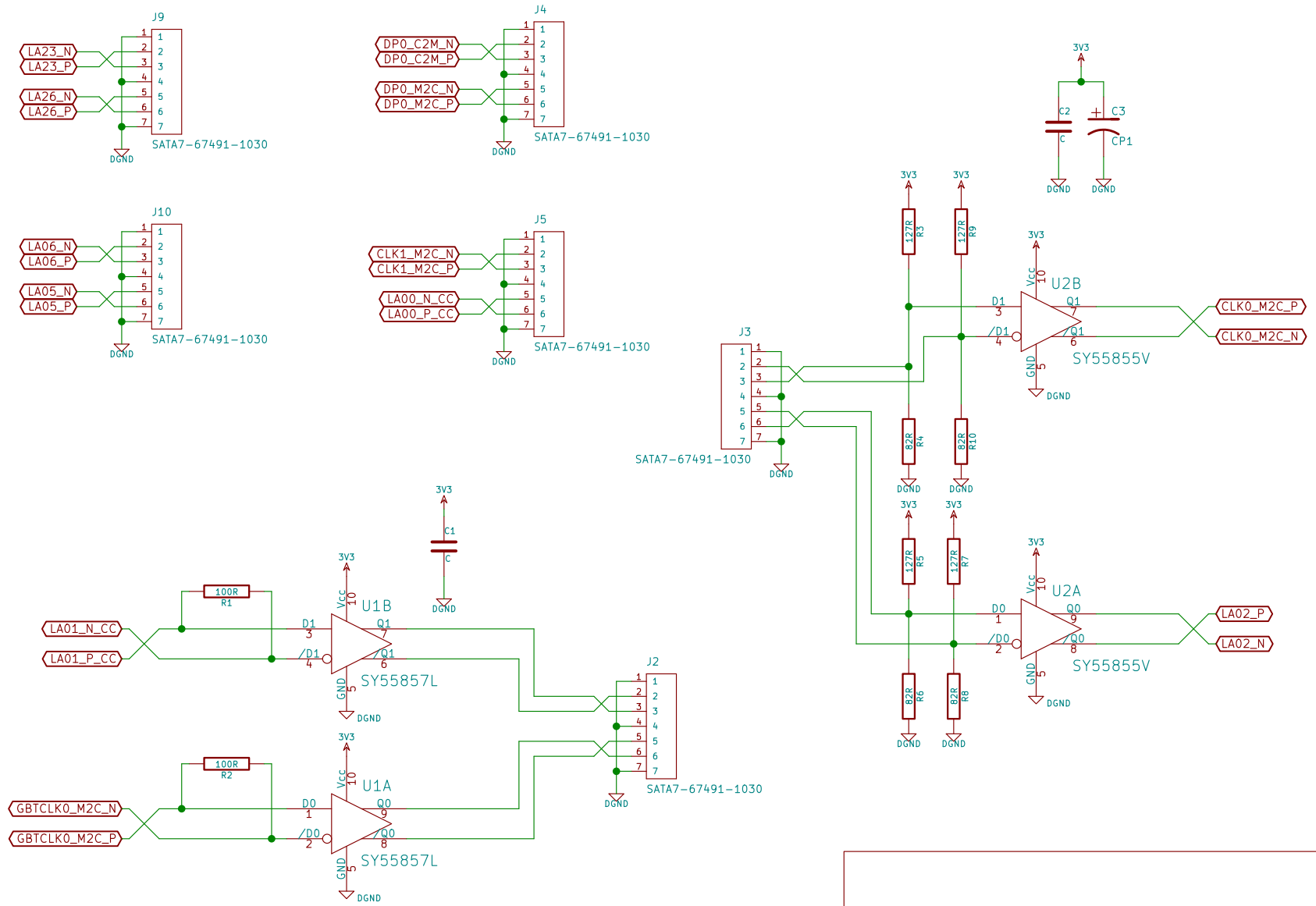
**Title:**

Size: A4      Date:  
KiCad E.D.A. eeschema (2014-03-14 BZR 4749)-product

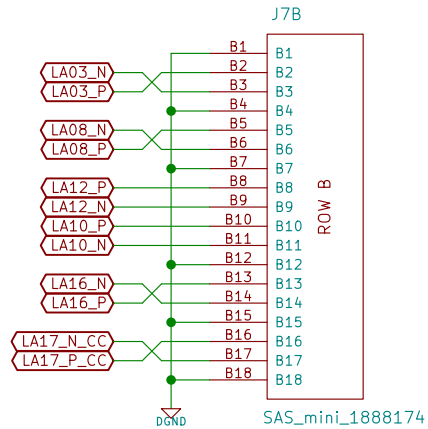
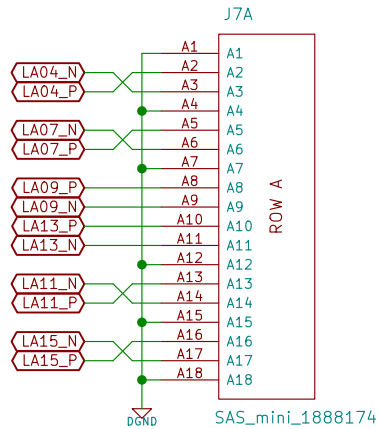
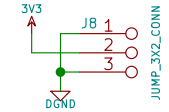
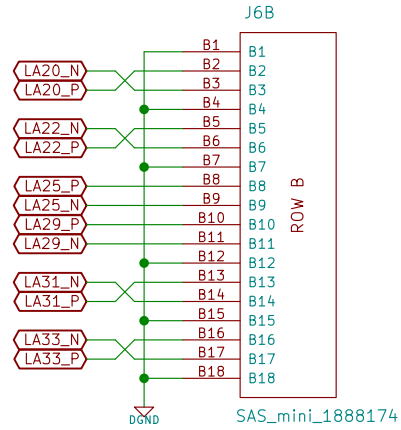
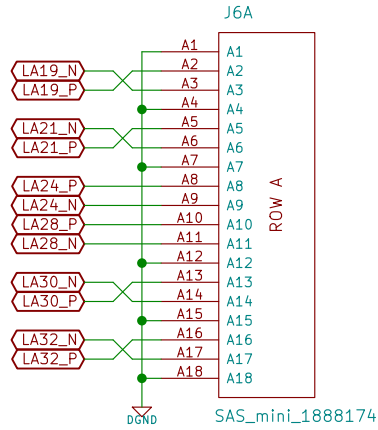
**Rev:**  
Id: 1/4



Sheet: /FMC_connector/	
File: FMC.sch	
<b>Title:</b>	
Size: A4	Date:
KiCad E.D.A. eschema (2014-03-14 BZR 4749)-product	
Rev: Id: 2/4	



Sheet: /SATA_connectors/		File: SATA.sch	
<b>Title:</b>		<b>Rev:</b>	
Size: A4	Date:	KiCad E.D.A. eeschema (2014-03-14 BZR 4749)-product	
			Id: 3/4



Sheet: /miniSAS\_connectors/  
File: miniSAS.sch

**Title:**

Size: A4

Date:

Rev:

KiCad E.D.A. eeschema (2014-03-14 BZR 4749)-product

Id: 4/4