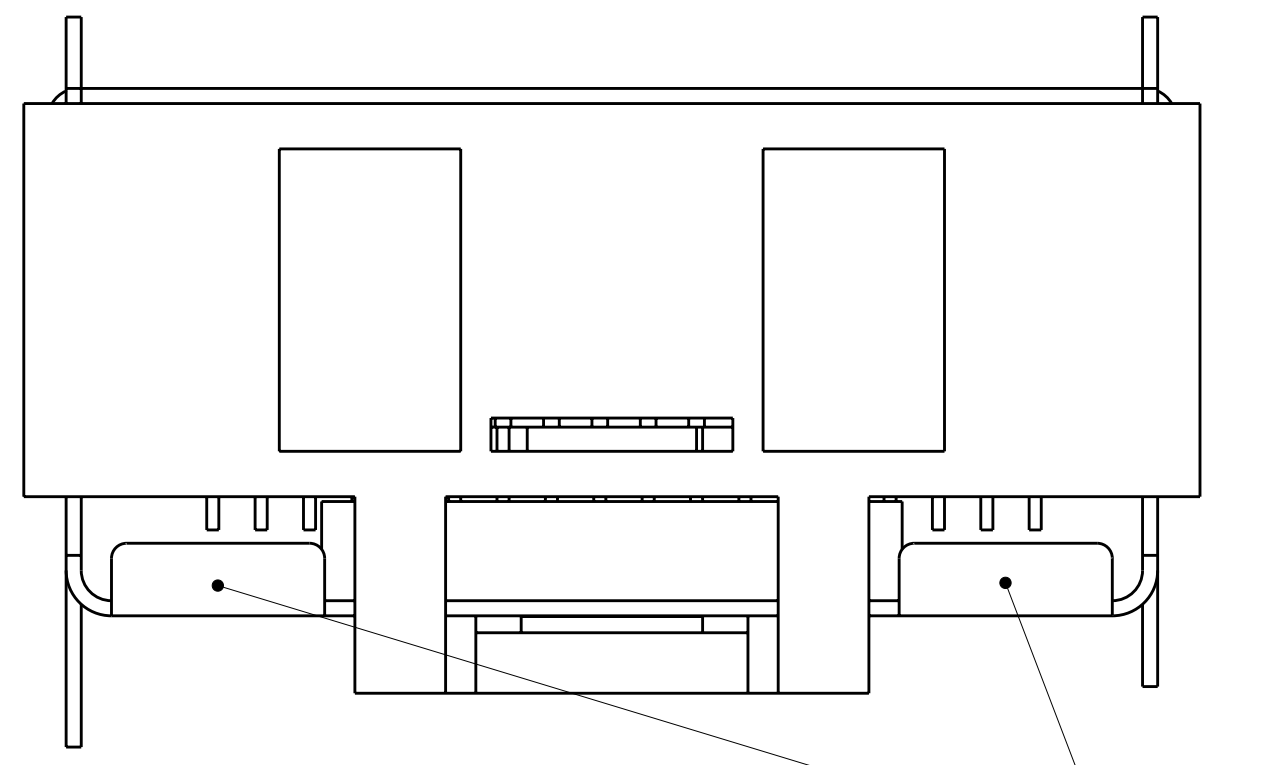
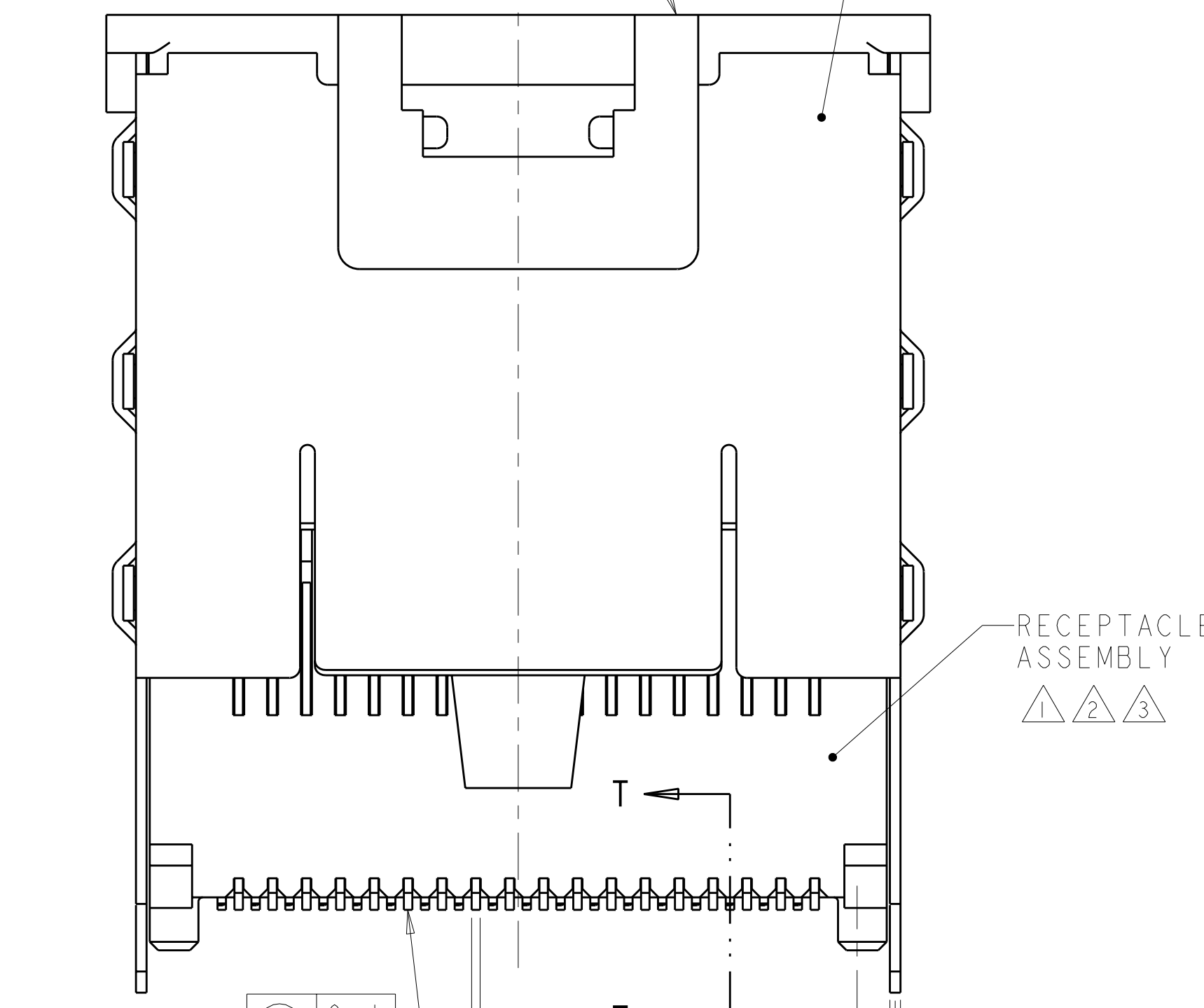


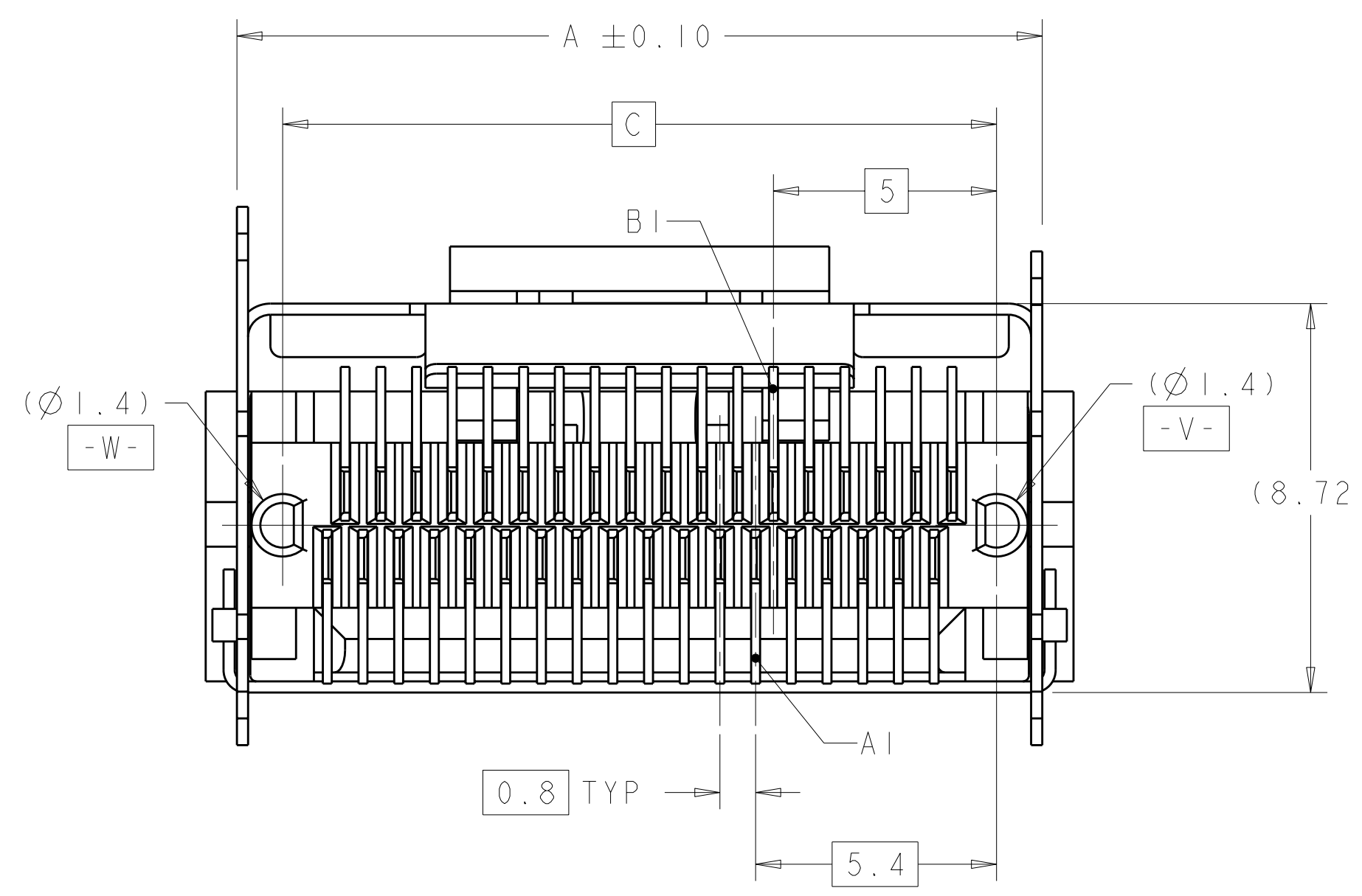
LOC	DIST	REVISIONS					
GP	00	P	LTN	DESCRIPTION	DATE	DWN	APVD
		A		RELEASED PER ECO-08-011133	14MAY2008	ZMR	DLG



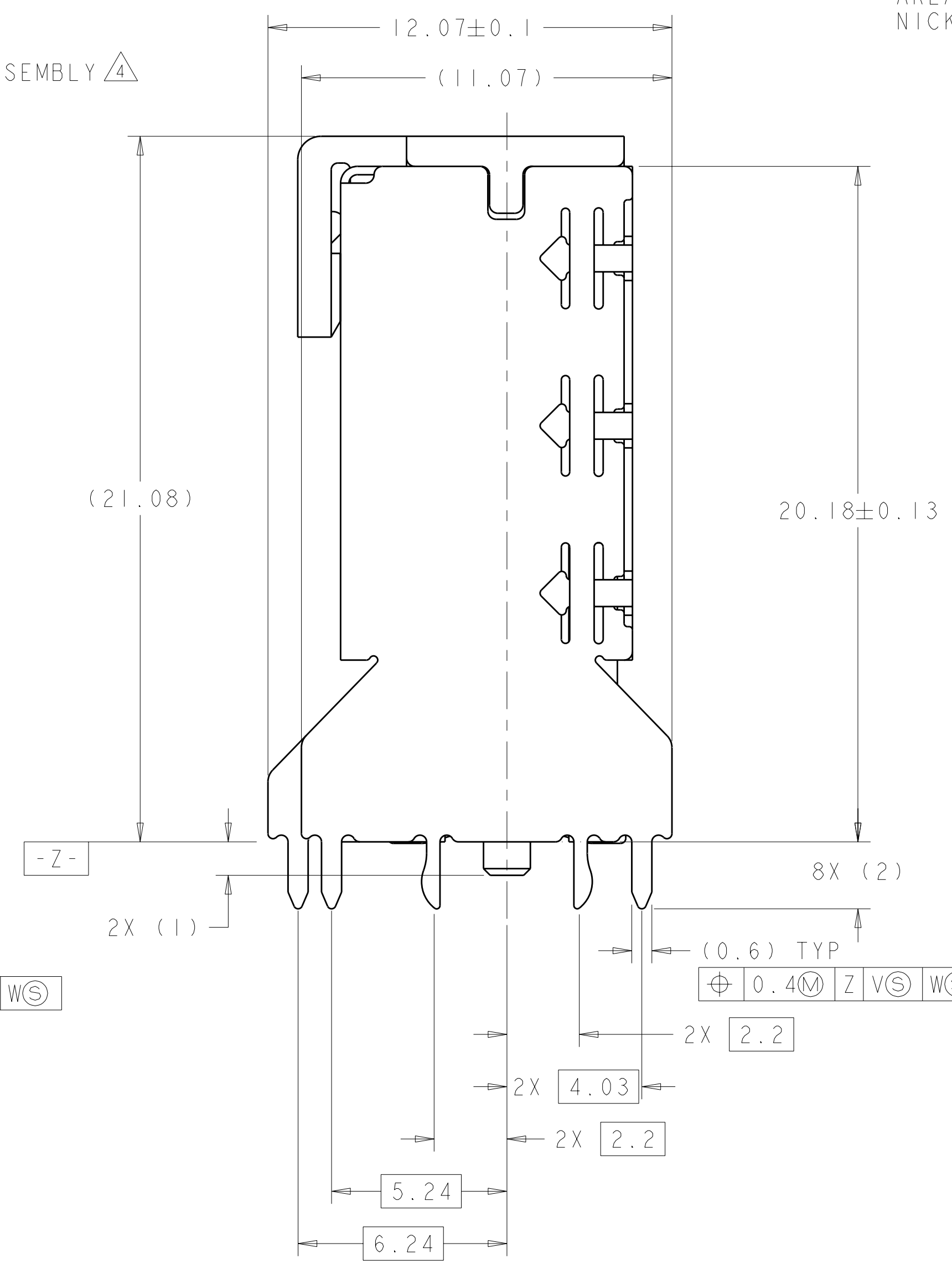
KEYING  
 PICK AND PLACE DEVICE  
 VERTICAL SHIELD ASSEMBLY



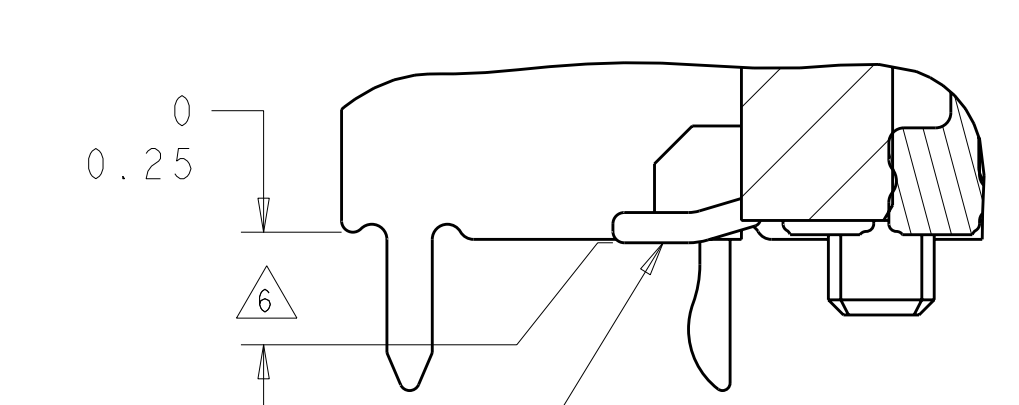
RECEPTACLE ASSEMBLY  
 ALL CONTACT SOLDER TAIL SURFACES  
 (0.1)  
 (0.2)  
 (0.25) TYP  
 (0.4) TYP  
 (0.9) TYP  
 B PLC  
 Z V S W S



(0.8) TYP  
 A1  
 (1.4) -W-  
 (1.4) -V-  
 (8.72)

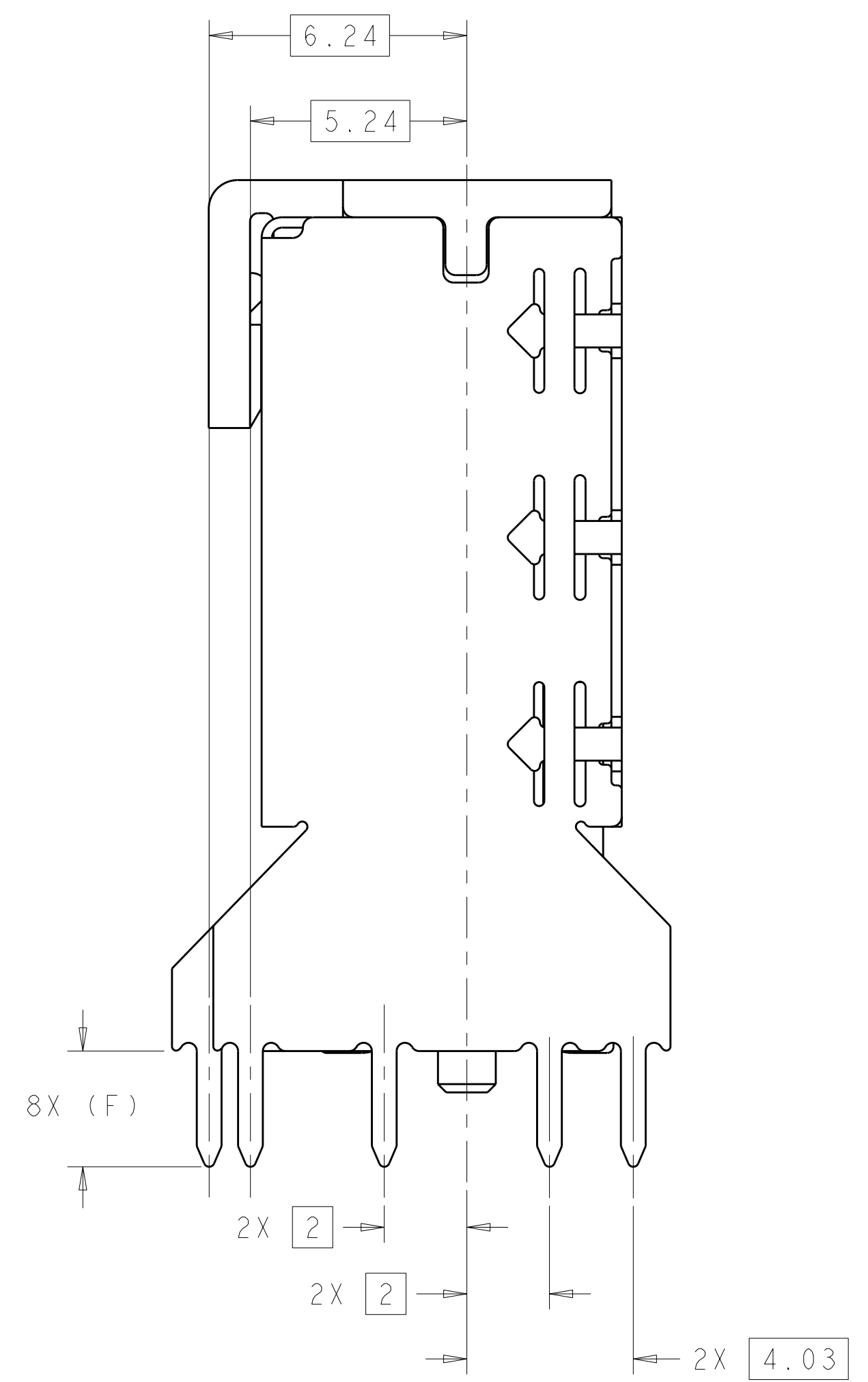


1888174-2 AS SHOWN  
 12.07±0.1  
 (11.07)  
 (21.08)  
 20.18±0.13  
 8X (2)  
 2X (1)  
 (0.6) TYP  
 (0.4) TYP  
 2X 2.2  
 2X 4.03  
 2X 2.2  
 5.24  
 6.24



VERTICAL CONTACT  
 SECTION T-T  
 SCALE 10:1  
 0  
 0.25  
 6  
 2 3 8

- 1 MATERIAL: LCP, BLACK.
- 2 MATERIAL: PHOSPHOR BRONZE PER ASTM B 103.
- 3 FINISH: 0.76µm MIN GOLD PLATE PER ASTM B 488, APPLIES TO INTERFACE AREA AND 2.03µm MIN TIN PLATE SOLDER TAILS, ALL OVER 3.81µm MIN NICKEL PLATE PER QQ-N-290.
- 4 MATERIAL: NICKEL-SILVER PER ASTM B 122.
- 5 DATUM AND BASIC DIMENSION ESTABLISHED BY CUSTOMER.
- 6 CONTACT TAILS TO BE 0.25 MAX BELOW OR FLUSH WITH DATUM Z.
- 7 REFER TO CUSTOMER DRAWING 1888020 FOR CONNECTOR DETAILS.
- 8 FINISH: 0.38µm MIN GOLD PLATE PER ASTM B 488, APPLIES TO INTERFACE AREA AND 2.03µm MIN TIN PLATE SOLDER TAILS, ALL OVER 3.81µm MIN NICKEL PLATE PER QQ-N-290.

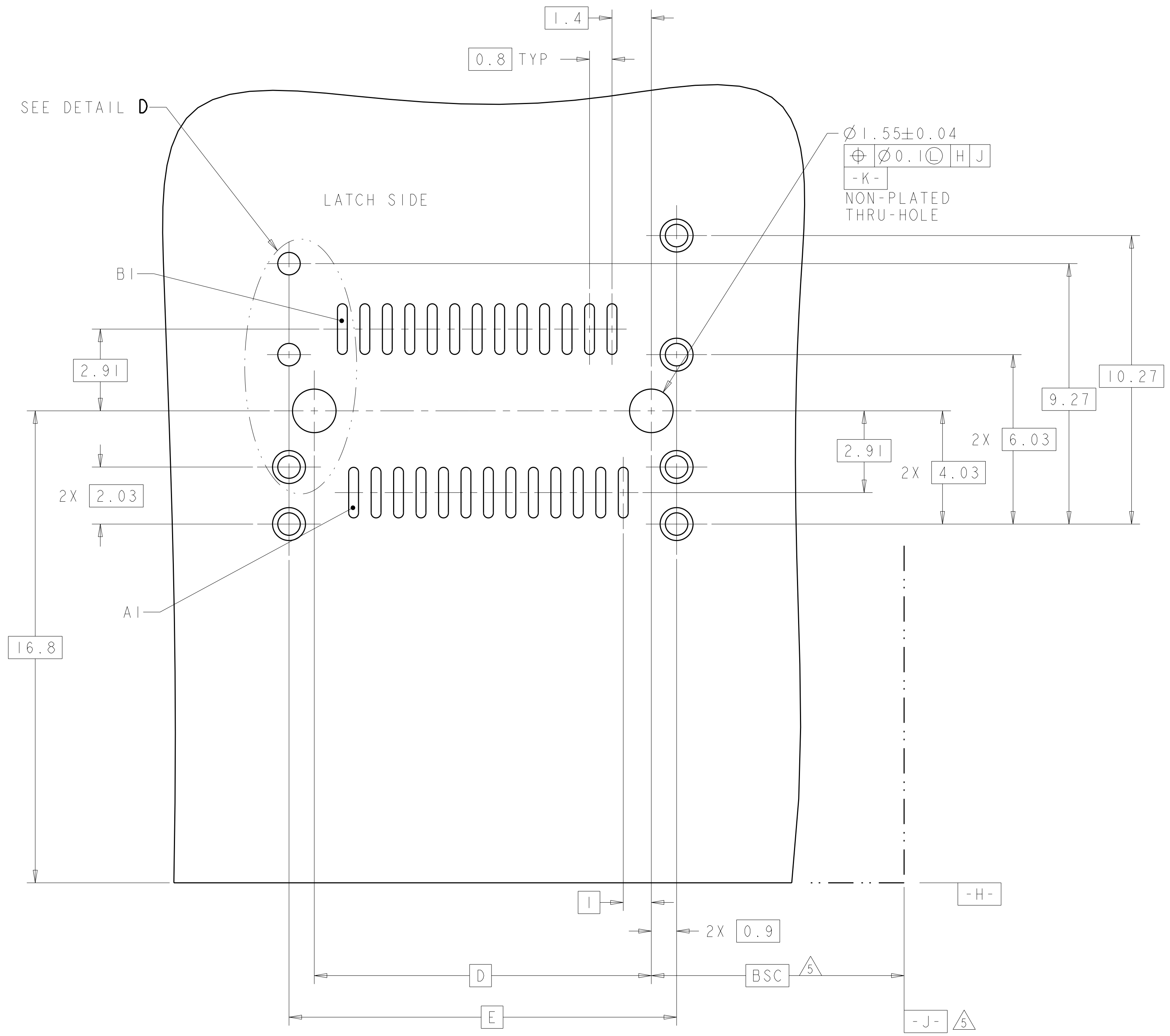


1888174-4 AND 1888174-6 AS SHOWN  
 6.24  
 5.24  
 8X (F)  
 2X 2  
 2X 2  
 2X 4.03

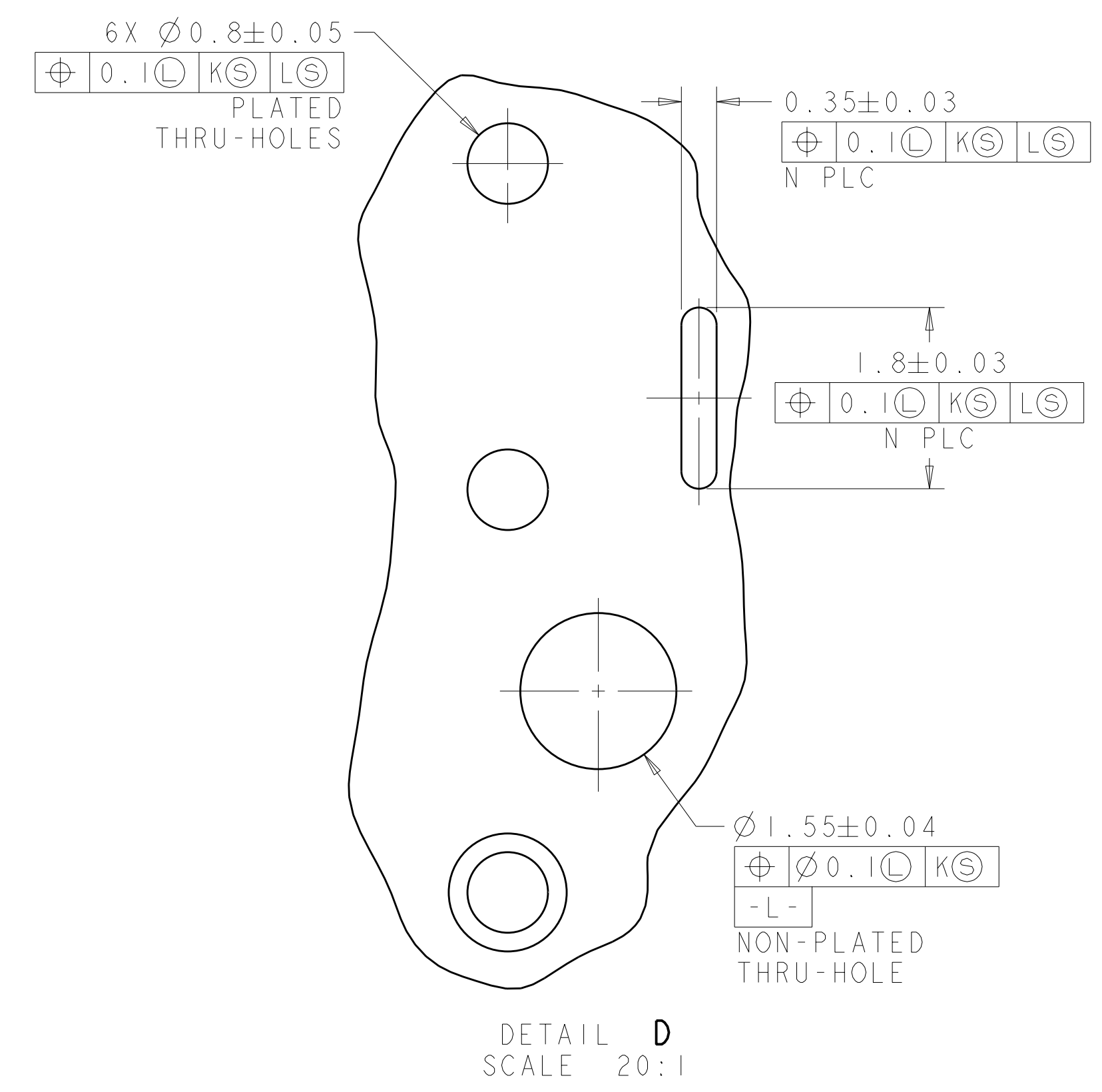
FINISH	SHIELD TYPE	FINISH								PART NUMBER
		N	F	E	D	C	B	A	POSN	
8	THRU-HOLE	36	3.5	17.8	16	16	36	18.05	36	1888174-9
	THRU-HOLE	36	2.8	17.8	16	16	36	18.05	36	1888174-8
3	PRESS-FIT	36	-	17.8	16	16	36	18.05	36	1888174-7
	THRU-HOLE	36	3.5	17.8	16	16	36	18.05	36	1888174-6
3	THRU-HOLE	36	2.8	17.8	16	16	36	18.05	36	1888174-4
	PRESS-FIT	36	-	17.8	16	16	36	18.05	36	1888174-2

DIMENSIONS: mm 		TOLERANCES UNLESS OTHERWISE SPECIFIED: 9 PLC ± 8 PLC ± 5 PLC ± 4 PLC ± ANGLES ±		DWN M.E. SHIRK 200CT05 CHK R.R. HENRY 200CT05 APVD R.R. HENRY 200CT05 PRODUCT SPEC 108-2234 APPLICATION SPEC WEIGHT CUSTOMER DRAWING		Tyco Electronics Harrisburg, PA 17105-3608 NAME EVERCLEAR Mini-SAS VERTICAL INTERNAL RECEPTACLE ASSY WITH DUAL KEYED SHELL SIZE CAGE CODE DRAWING NO. RESTRICTED TO A1100779C=1888174 SCALE 8:1 SHEET 1 OF 2 REV A	
-----------------------	--	--	--	--	--	--	--

LOC	DIST	REVISIONS			
P	LTN	DESCRIPTION	DATE	OWN	APVD
GP	00	SEE SHEET 1			



RECOMMENDED PCB LAYOUT  
 SCALE 10:1



DETAIL D  
 SCALE 20:1

DIMENSIONS: mm 		TOLERANCES UNLESS OTHERWISE SPECIFIED: 9 PLC ± 1 PLC ± 2 PLC ± 3 PLC ± 4 PLC ± ANGLES ± FINISH ±		DWN M.E. SHIRK 200CT05 CHK R.R. HENRY 200CT05 APVD R.R. HENRY 200CT05 PRODUCT SPEC 108-2234 APPLICATION SPEC WEIGHT CUSTOMER DRAWING		Tyco Electronics Harrisburg, PA 17105-3608 NAME EVERCLEAR Mini-SAS VERTICAL INTERNAL RECEPTACLE ASSY WITH DUAL KEYED SHELL SIZE CAGE CODE DRAWING NO RESTRICTED TO A100779C-1888174 SCALE 8:1 SHEET 2 OF 2 REV A	
-----------------------	--	---	--	---	--	--	--