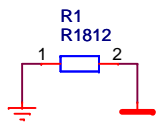
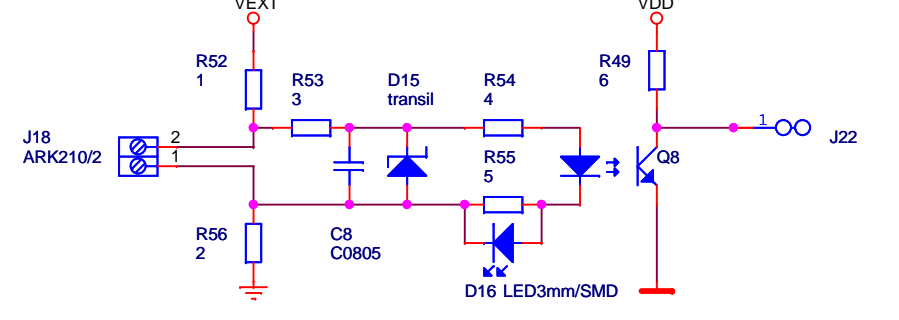
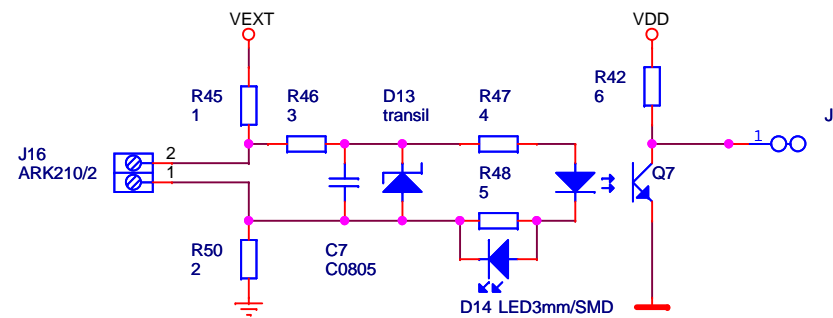
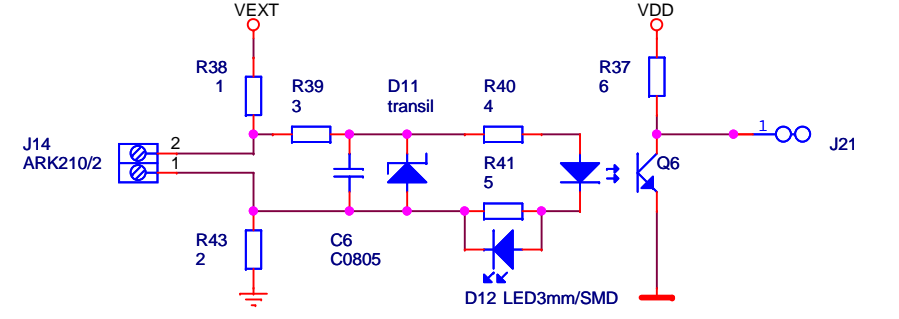
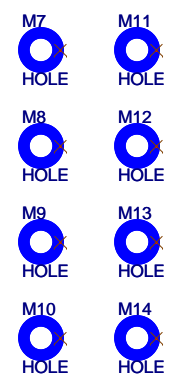


Drills for smd LED



Firma		Author	
MLAB		MIJA	
Size	Project Name	Schematic Name	Rev
A4	MLAB	OPTOSIGNAL	1.0
Date:	Thursday, September 02, 2010	Sheet	1 of 1